

Prelude REF



ELECTRO SAILPLANE

Manufactured by:

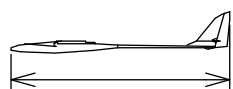
TOPMODEL CZ

679 05 HABRŮVKA 100 - CZECH REPUBLIC

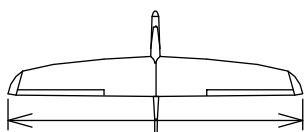
www.topmodelcz.cz

e-mail: info@topmodelcz.cz

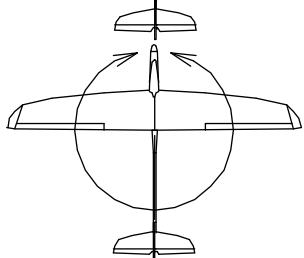
Order N°: 020106



1340mm



2500mm



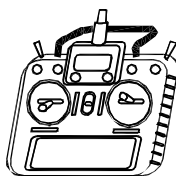
46dm²

27,2-28,4g/dm²

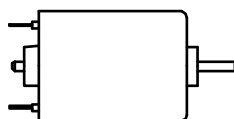


1,25 - 1,3kg

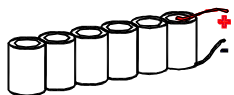
Radio system you'll need :



5channel
with
4 servos



MVVS 3,5/960



3S Lixx 2,5-3Ah



MH 32 mod.

*Není-li uvedeno jinak, všechny
neoznačené míry jsou v milimetrech
UNLES STATED, ALL DIMENSIONS
ARE IN MILIMETERS*

| Part # | Part name | Material/dimensions | Loose | In bag |
|--------|-----------------------|---|----------------|--------|
| | building instructions | | 01 | - |
| 1 | fuselage | fiberglass | 01 | - |
| 1-1 | motor mount | fiberglass 3mm | - | 01 |
| 1-2 | servo tray | plywood 4x53x47 | - | 01 |
| 2 | wing | balsa assembly | 02 | - |
| 2-11 | flap | balsa | 02 | - |
| 2-2 | wing fixing screw | M4x30 | - | 02 |
| 2-21 | centering pin | fibreglass Ø3x30mm | - | 01 |
| 2-3 | nut | Aluminium M4 | - | 02 |
| 2-31 | nut mount | plywood 3x23x53mm | - | 01 |
| 2-4 | servo mount | polyurethan | - | 04 |
| 2-41 | wing servo cover | ABS plastic | - | 02 |
| 2-5 | flap pushrod | piano wire Ø1,8mm | - | 02 |
| 2-6 | clevis | MPJ 2110 | - | 02 |
| 2-81 | flap horn | fibreglass plate 1mm | - | 02 |
| 24 | wing joiner | Al.+ carbon Ø10x180mm | 1 | 01 |
| 3 | horizontal stabilizer | balsa assembly | 02 | - |
| 3-21 | centering pin | piano wire Ø2x70mm | - | 01 |
| 3-3 | elevator joiner | fibreglass Ø3x150mm | - | 01 |
| 3-5 | elevator link | balsa 10x610mm | 01 | - |
| 3-5N | thread | 1,5m | - | 01 |
| 3-5S | elevator link | piano wire Ø1,8x150mm | - | 02 |
| 3-6 | clevis | MPJ 2110 | - | 02 |
| 3-8 | elevator link | plastic | - | 01 |
| 4 | fin | balsa assembly | 01 | - |
| 4-3 | closing strip | balsa 5mm | - | 01 |
| 4-5 | rudder link | external bowden L=730mm internal bowden L=800mm piano wire Ø0,8x800mm | 01 01 01 | - |
| 4-6 | clevis | MPJ 2110 | - | 02 |
| 4-7 | threaded coupler | MPJ 2012 | - | 02 |
| 4-8 | rudder horn | fibreglas plate 1,5mm | - | 01 |
| 6 | canopy | fibreglass | 01 | - |
| 6-2 | canopy fixing | fibreglass Ø2x180mm | - | 01 |
| 6-21 | canopy fixing mount | plywood 1x6x12mm | - | 02 |
| 7 | stickers | | 04 | - |
| 11 | pinned hinge | MPJ 2502 | - | 02 |

RECOMMENDED EQUIPMENT

| | | Pieces | | Item No. www.topmodelcz.cz |
|-------------|----------------------------|--------|-----------------------|---|
| transmitter | 5 kanálů | | | |
| reciever | 5-6 kanálů | | | |
| servo | HS-82MG | 2 | for flaps | 1HI7297 |
| | HS-81 | 2 | for elevator & rudder | 1HI3035 |
| motor | MVVS 3,5/960 | 1 | | 2045 |
| controller | SPIN 44 | 1 | | 1RC23203 |
| spinner | turbo Ø40;5;8 | 1 | | 0201559 |
| propeller | CAM Carbon 12x6,5" | 1 | | 723446 |
| battery | Xpower 2800-3S EX (55/30C) | 1 | | 1286 |

ATTENTION!

This model construction kit is not a toy and is not suitable for children under the age of 14. Incorrect use of this model could cause material damage or personal injury. You are fully responsible for your actions when you use this model.

Fly at a safe distance from occupied zones. Before switching on the radio, be sure, that no one else is using the same frequency as you !

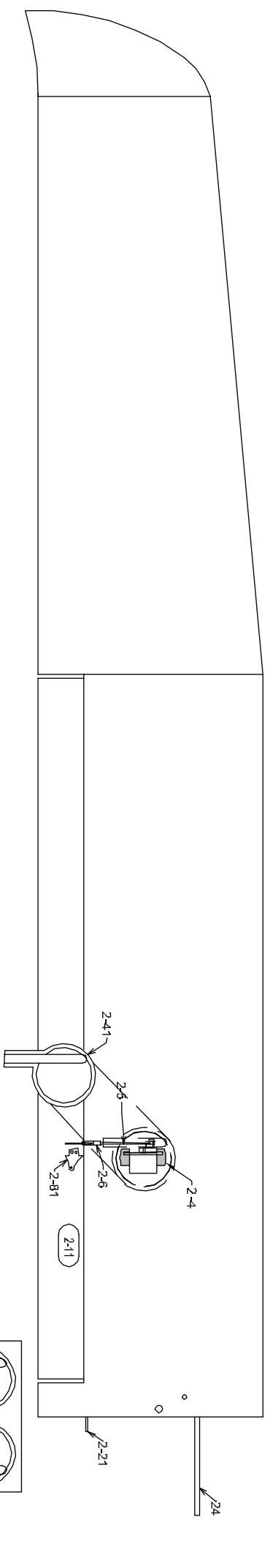
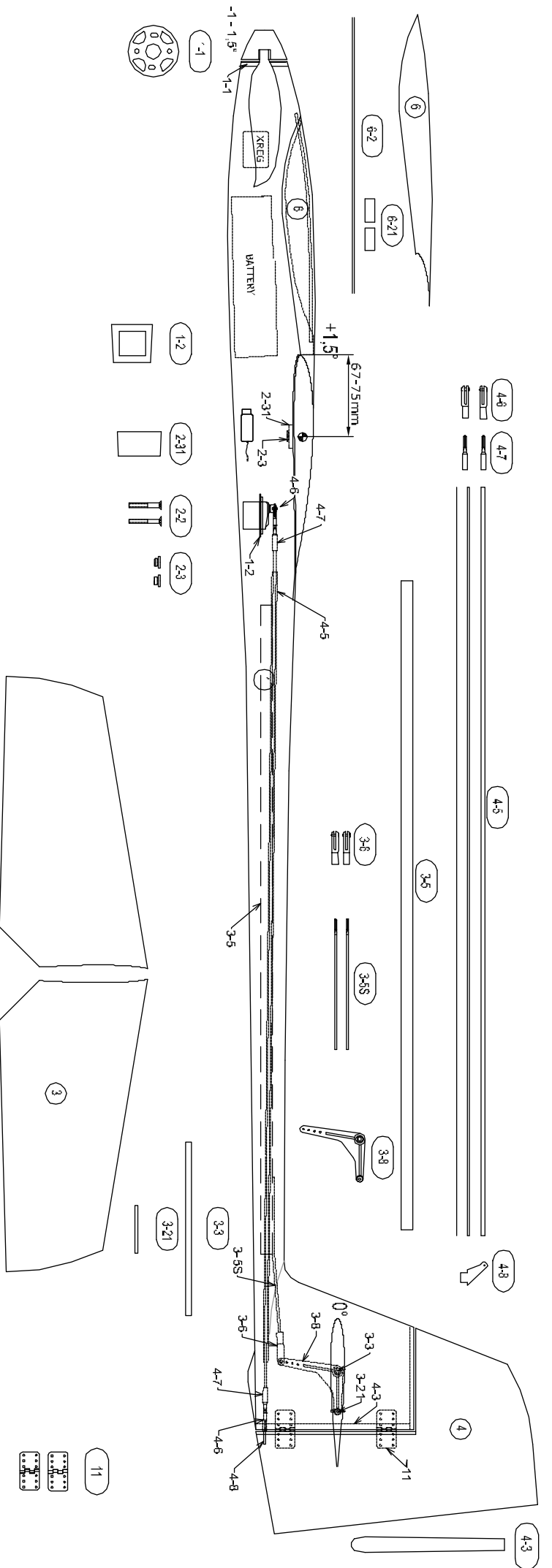
Before first take-off check up please if model aeroplane parts aren't crooked. The reparation is possible through the use of hot-air dryer.

| Položka | Název dílu | Materiál/rozměr | Volně /ks | Balíček /ks |
|----------------|-------------------|---|------------------|--------------------|
| | montážní návod | | 01 | - |
| 1 | trup | laminát | 01 | - |
| 1-1 | motorová přepážka | sklotextit 3mm | - | 01 |
| 1-2 | držák serva OP | překližka 4x53x47 | - | 01 |
| 2 | křídlo | balsa konstrukční | 02 | - |
| 2-11 | vztlaková klapka | balsa | 02 | |
| 2-2 | šroub křídla | M4x30 | - | 02 |
| 2-21 | aretační kolík | laminát Ø3x30mm | - | 01 |
| 2-3 | uchycení křídla | matice Al.M4 | - | 02 |
| 2-31 | podložka matice | překližka 3x23x53 | - | 01 |
| 2-4 | držák serva | polyuretan 13mm | - | 04 |
| 2-41 | krytka serva | výlisek ABS | - | 02 |
| 2-5 | táhlo klapky | ocel Ø1,8mm | - | 02 |
| 2-6 | koncovka táhla | MPJ 2110 | - | 02 |
| 2-81 | páka klapky | sklotextit 1mm | - | 02 |
| 24 | spojka křídla | Al.+uhlík Ø10x180mm | - | 01 |
| 3 | výškovka | balsa konstrukční | 02 | - |
| 3-21 | aretační kolík | ocel 2x70mm | - | 01 |
| 3-3 | spojka VOP | laminát Ø3x150mm | - | 01 |
| 3-5 | táhlo VOP | balsa Ø10x610mm | 01 | - |
| 3-5N | nit | 1,5m | - | 01 |
| 3-5S | táhlo VOP | ocel Ø1,8x140 | - | 02 |
| 3-6 | koncovka táhla | MPJ 2110 | - | 02 |
| 3-8 | páka VOP | plast | - | 01 |
| 4 | směrovka | balsa konstrukční | 01 | - |
| 4-3 | steven | B 5 | - | 01 |
| 4-5 | táhlo směrovky | bovden Ø3x730mm bovden Ø2x800mm ocel Ø0,8x800mm | 01 01 01 | - |
| 4-6 | koncovka táhla | MPJ 2110 | - | 02 |
| 4-7 | spojka táhla | MPJ 2012 | - | 01+01 |
| 4-8 | páka směrovky | sklotextit 1,5mm | - | 01 |
| 6 | kabína | laminát | 01 | - |
| 6-2 | uchycení kabíny | laminát Ø2x180mm | - | 01 |
| 6-21 | podložka | př. 1x6x12 | - | 02 |
| 7 | obtisky | | 04 | - |
| 11 | závěsy kormidel | MPJ 2502 | - | 02 |

| Doporučená výbava | | | | |
|-------------------|----------------------------|------|-------------------------|-----------------------------|
| | | KUSŮ | | Obj.číslo www.topmodelcz.cz |
| vysílač | 5 kanálů | | | |
| přijímač | 5-6 kanálů | | | |
| servo | HS-82MG | 2 | pro klapky | 1HI7297 |
| | HS-81 | 2 | pro směrovku a výškovku | 1HI3035 |
| motor | MVVS 3,5/960 | 1 | | 2045 |
| regulátor | Spln 44 | 1 | | 1RC23203 |
| kužel | turbo Ø40;5;8 | 1 | | 0201559 |
| listy vrtule | CAM Carbon 12/6,5" | 1 | | 723446 |
| akumulátor | Xpower 2800-3S EX (55/30C) | 1 | | 1286 |

Před prvním startem zkontrolujte jestli nejsou díly modelu zkroucené. Náprava je možná pomocí horkovzdušné pistole.

Dále zkontrolujte polohu těžiště, smysl a velikost výchylek kormidel.

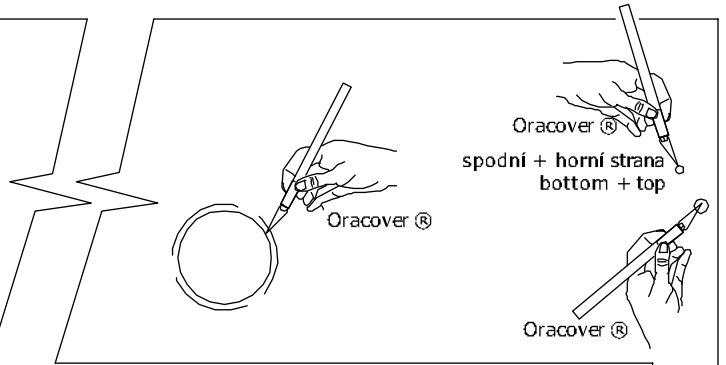


Prelude REF

© XII. 2011 TOPMODEL CZ Manufactured by TOPMODEL CZ s.r.o. 679 05 HABRŮVKA 100 - Better made in the Czech Republic
 www.topmodelcz.cz e-mail: info@topmodelcz.cz

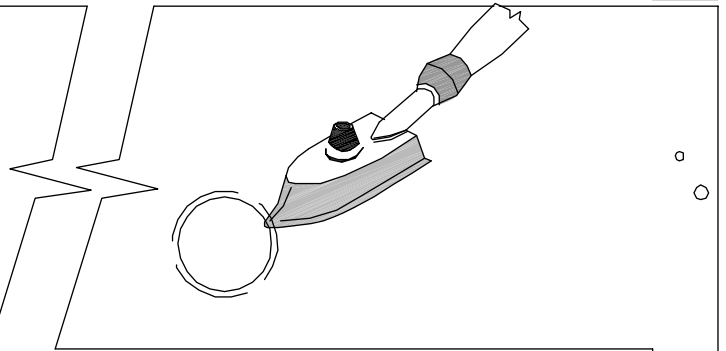
SPODNÍ STRANA
BOTTOM

②

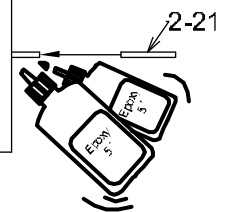


SPODNÍ STRANA
BOTTOM

②

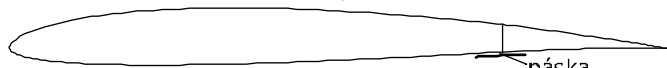


②



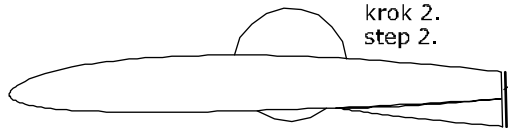
SPODNÍ STRANA
BOTTOM

krok 1.
step 1.



páska
tape

krok 2.
step 2.

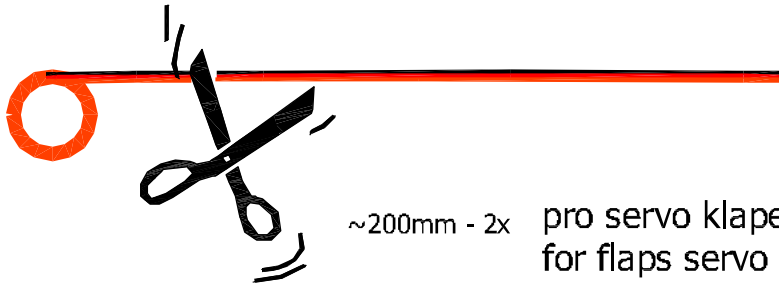


páska 2
tape

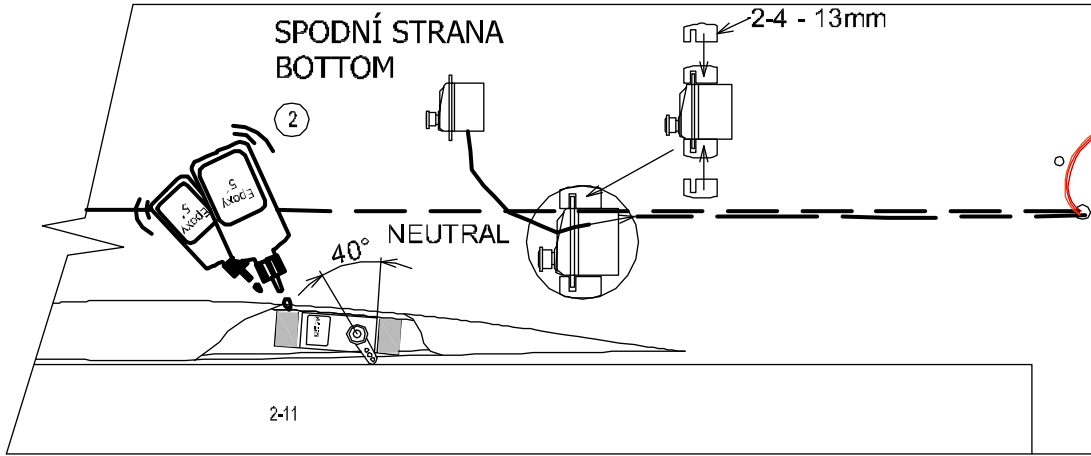
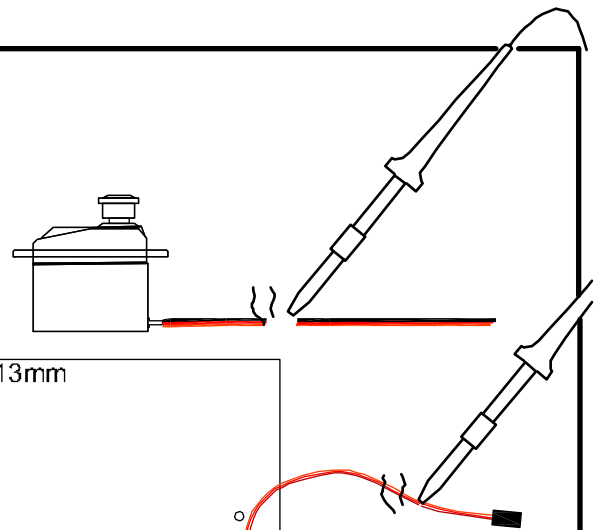


2-11

1/2
1/2



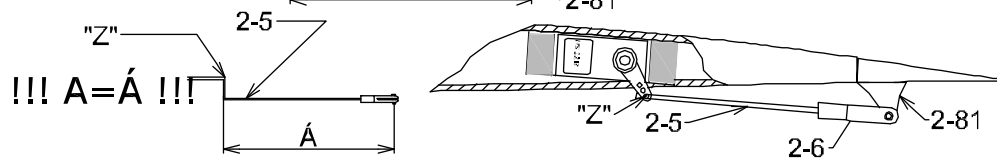
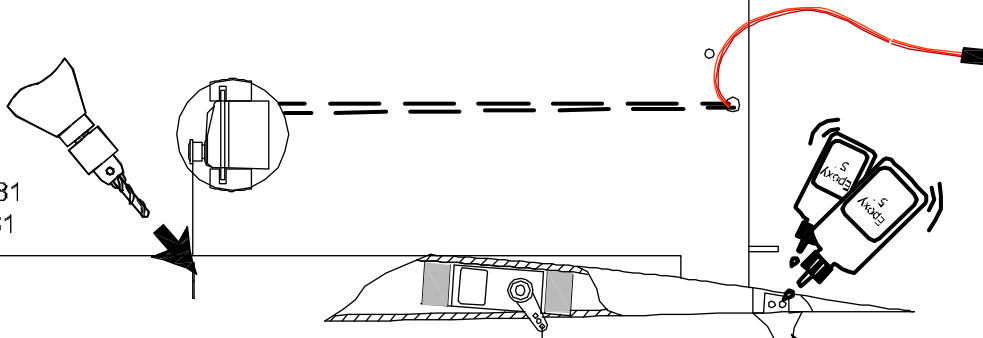
~200mm - 2x pro servo klapek
for flaps servo



SPODNÍ STRANA
BOTTOM

Ø1 pro 2-81
Ø1 for 2-81

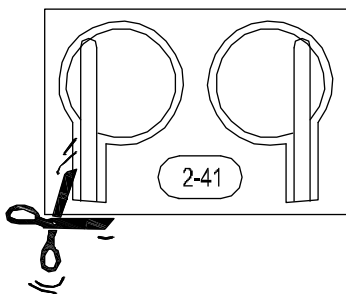
2-11



SPODNÍ STRANA
BOTTOM

2

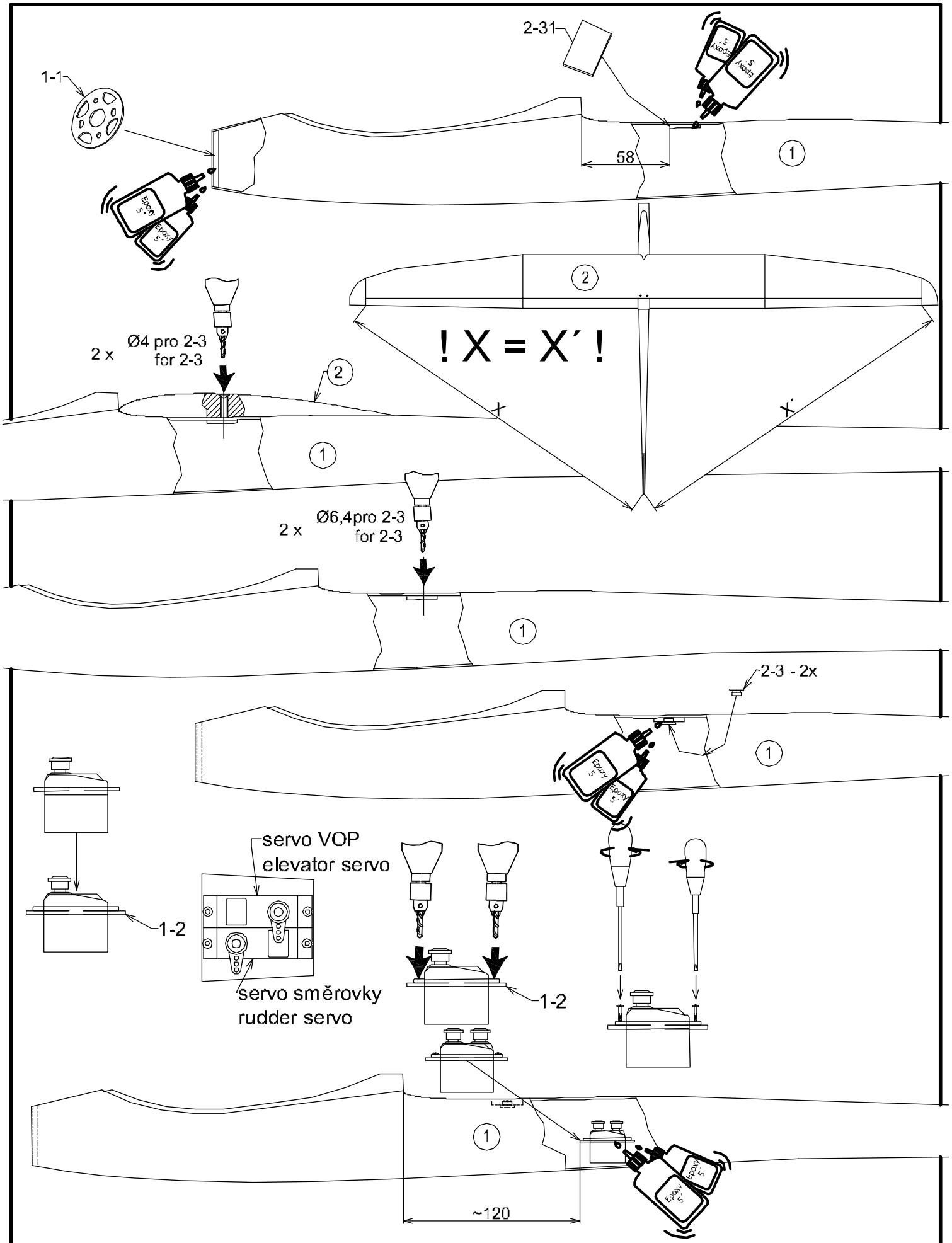
kontaktní lepidlo (Chemopren)
dry-bond adhesive



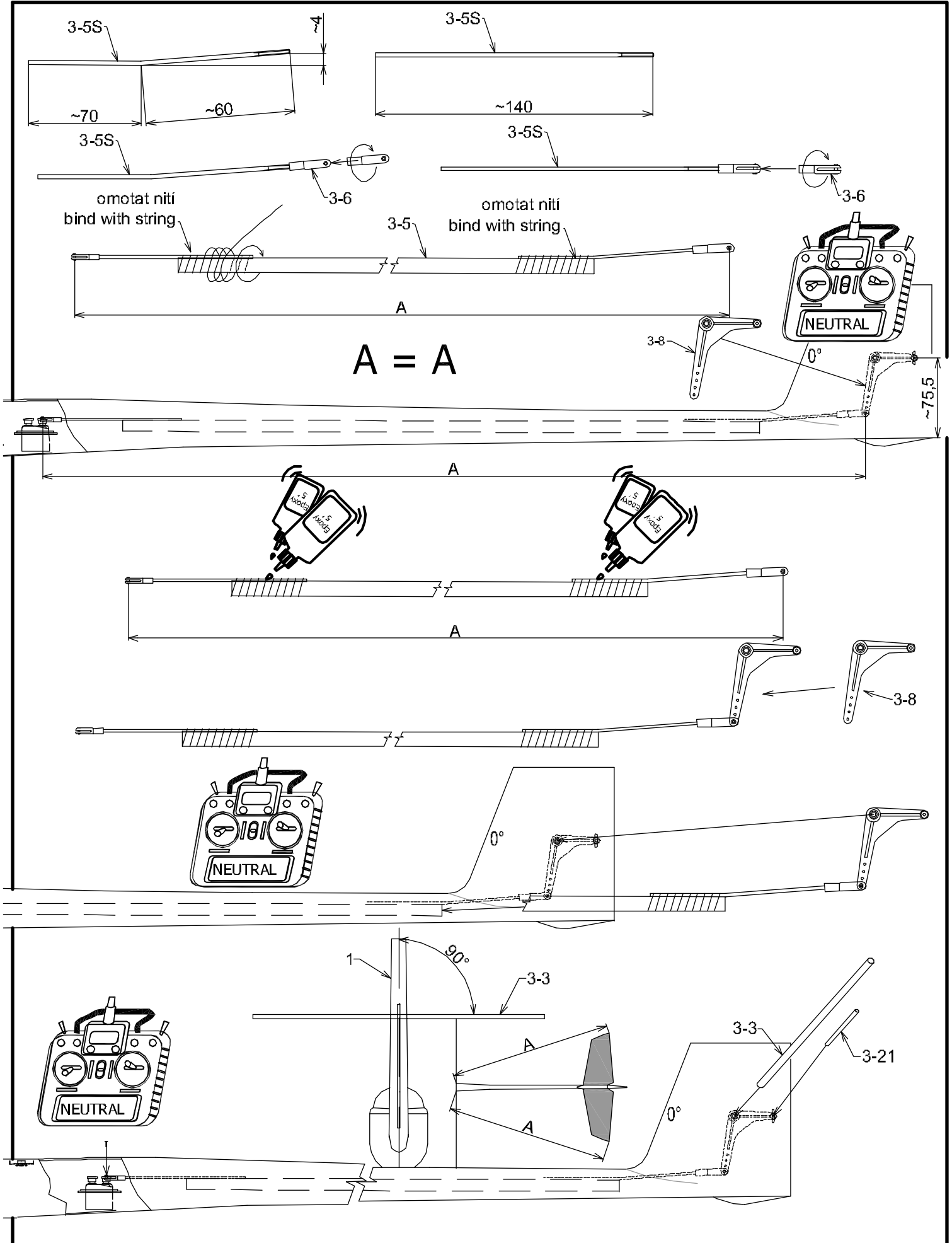
2-41

2-41

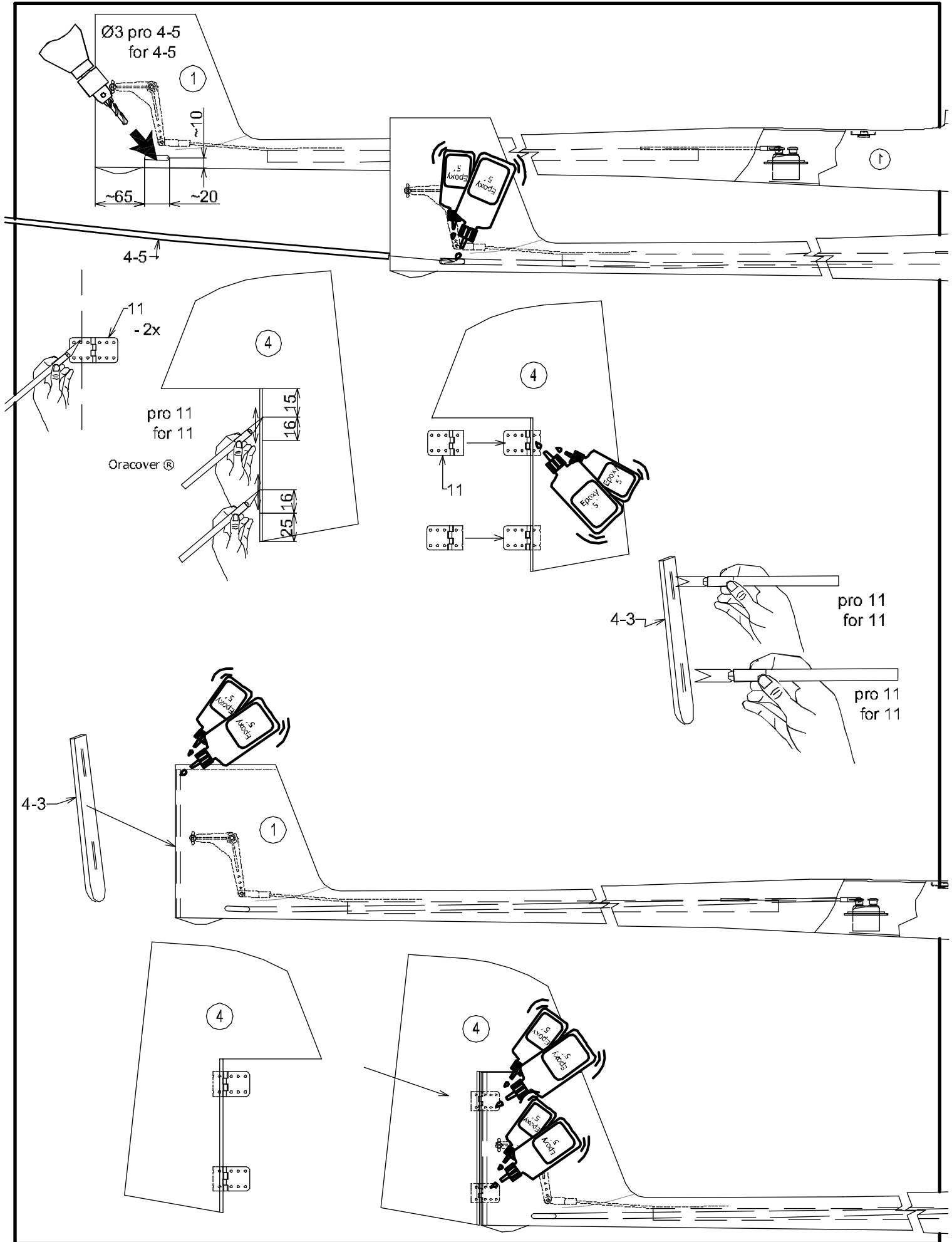
Prelude REF



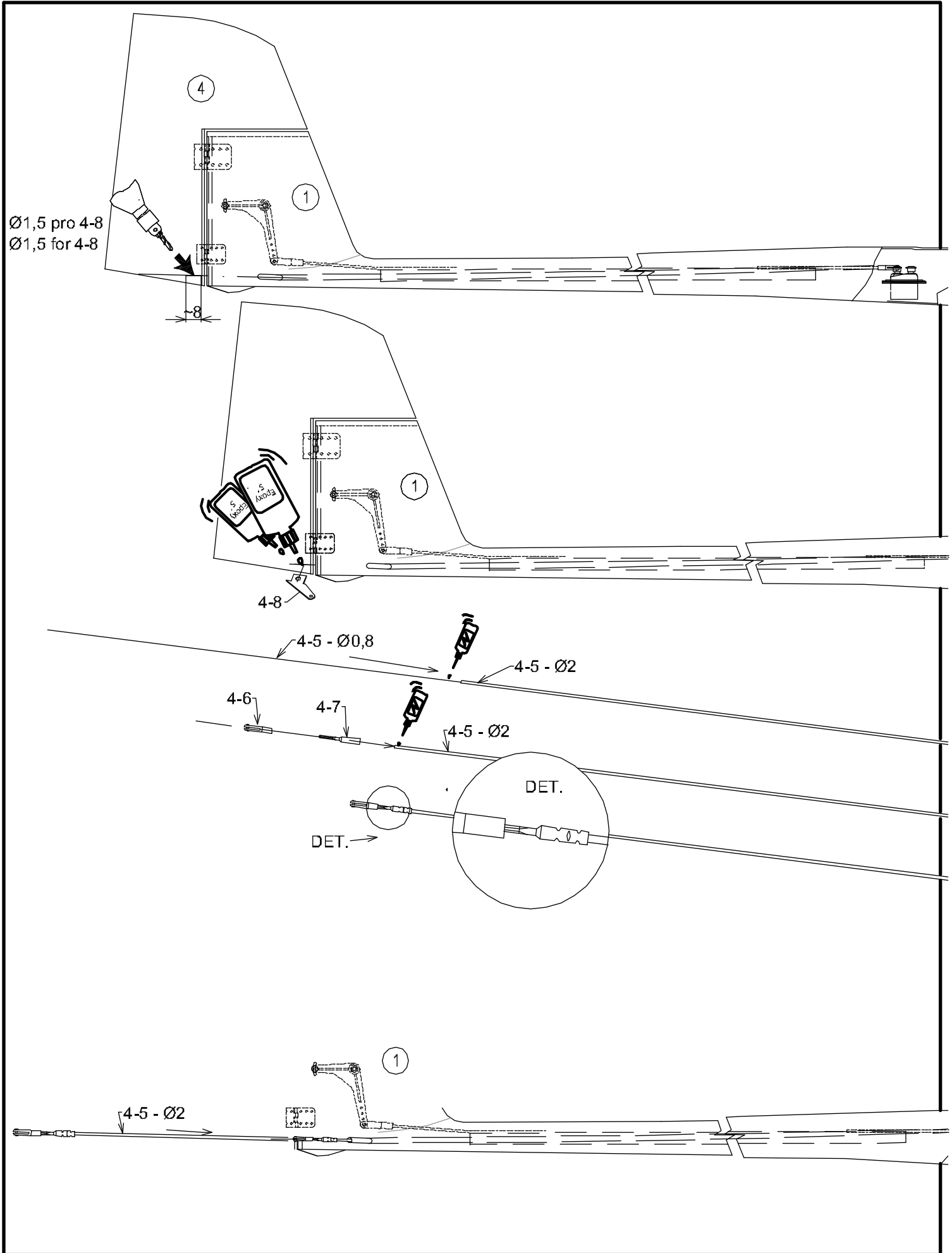
Prelude REF



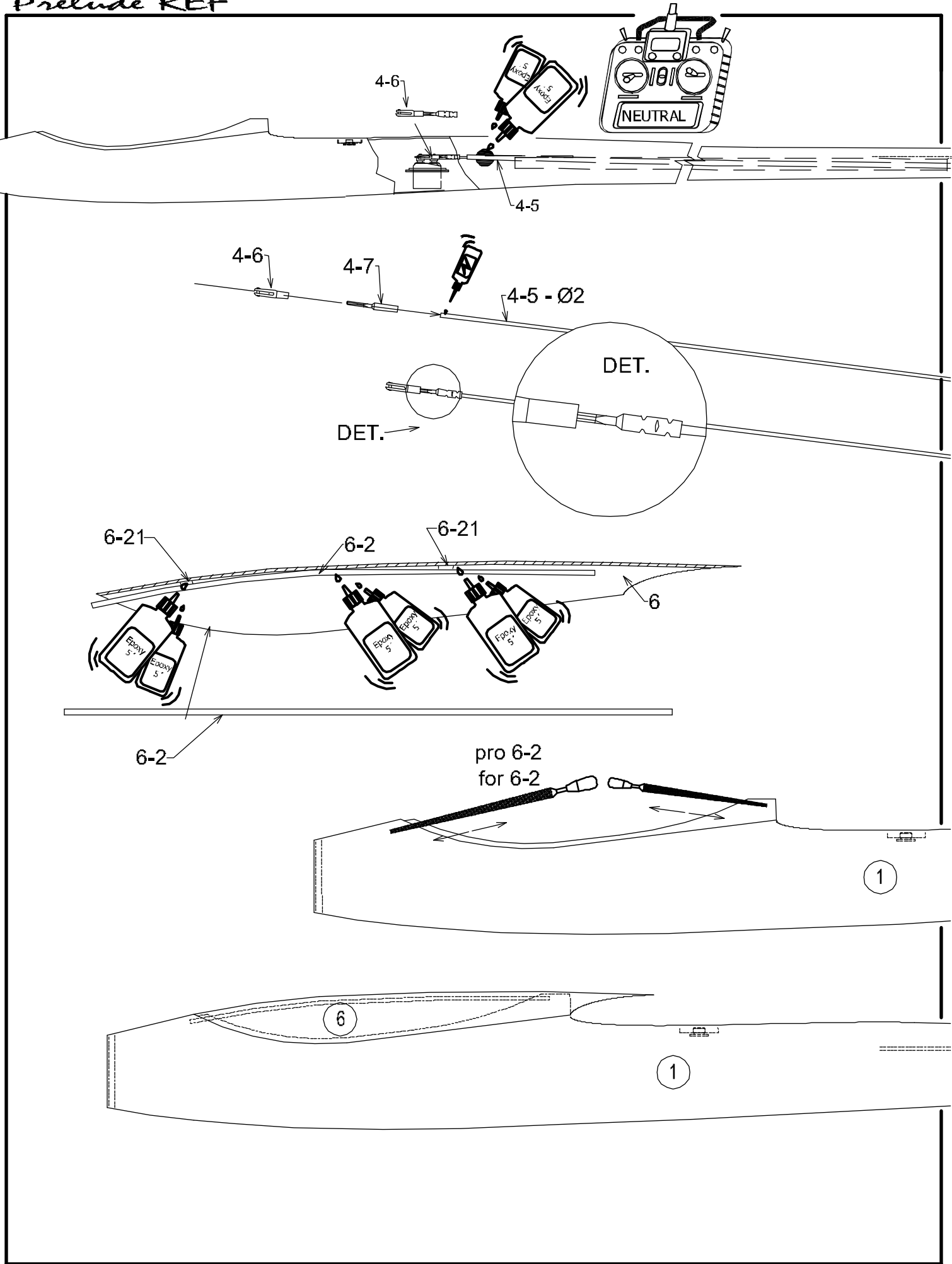
Prelude REF



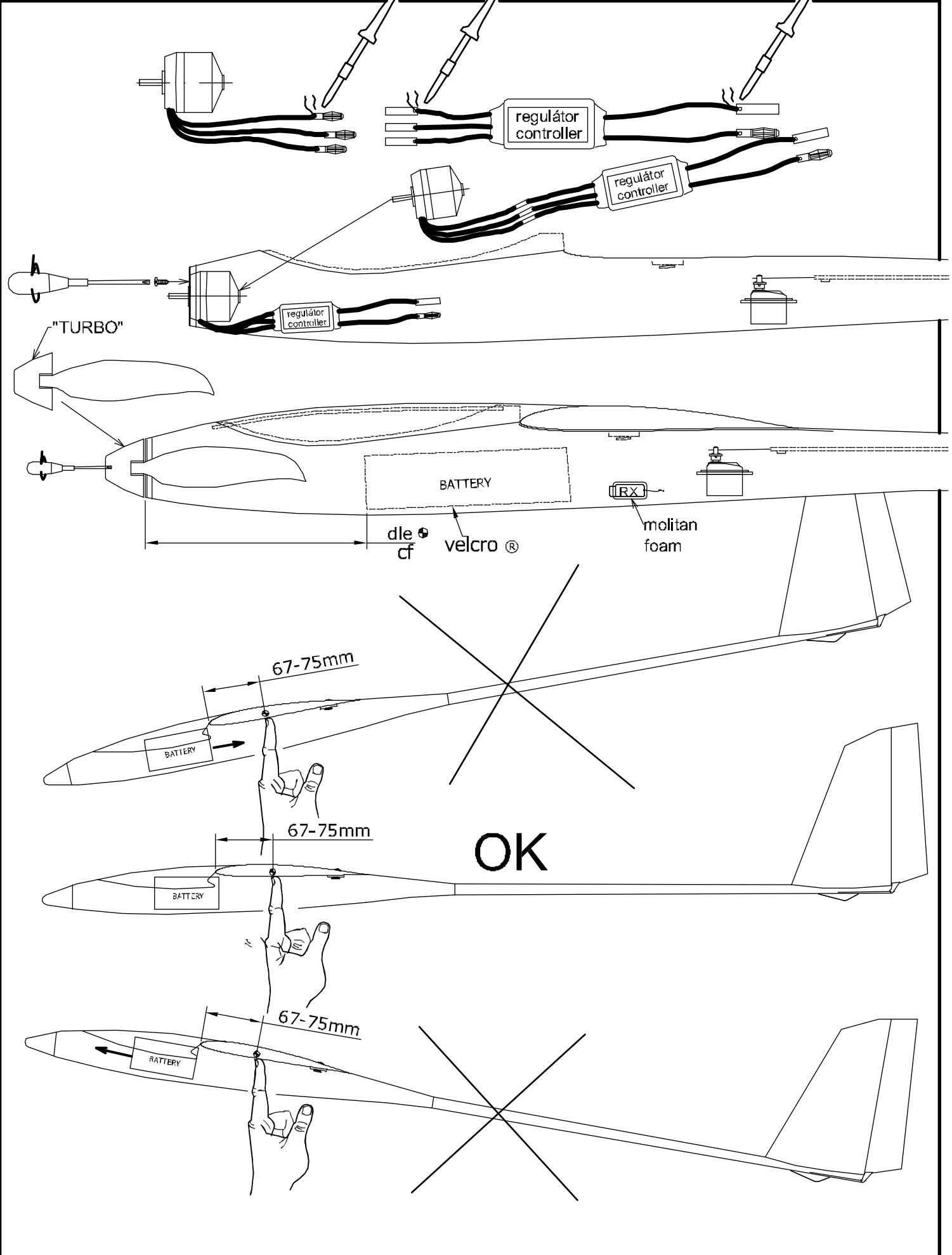
Prelude REF



Prelude REF



Prelude REF



Prelude REF

