

SAILPLANE / ELECTRO SAILPLANE



Albatros

Classic

Manufactured by:

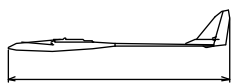
TOPMODEL CZ

679 05 HABRŮVKA 100 - CZECH REPUBLIC

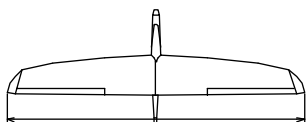
www.topmodelcz.com

e-mail: info@topmodelcz.cz

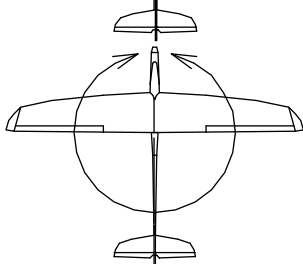
Order N°: 020100



1385mm



2960mm



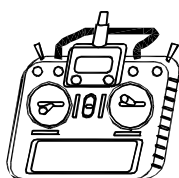
68dm²

26,5-35,3g/dm²

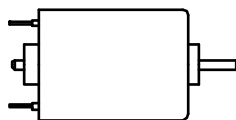


1,8 - 2,4kg

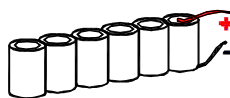
Radio system you'll need :



- ailerons - 2 servos
- flaps - 2 servos
- elevator
- rudder
- motor



Mega ACn 22/30/3E
MVVS 4,6/840(Sport)



3S-4S Lixx



AG

*Není-li uvedeno jinak, všechny
neoznačené míry jsou v milimetrech
UNLES STATED, ALL DIMENSIONS
ARE IN MILIMETERS*

Part #	Part name	Material/dimensions	Loose	In bag
	building instruction		01	
1	fuselage	fibreglass	01	
1-1	engine mount	fibreglass 3mm		01
1-2	servo tray	plywood 4x56x60mm		01
1-3	link support	balsa 5x10x56		01
1-4	tow hook	steel Ø3mm, washer, nut M3		01+02+02
1-5	tow hook support	plywood 3x16x50mm		01
1-CT	cutting template	plywood 3mm	01	
2	wing	balsa assembly	03	
2-1	aileron	balsa	02	
2-11	flap	balsa	02	
2-2	wing fixing screw	M4x22		02
2-21	centering pin	fibreglass Ø3x30mm		01
2-25	centering pin	fibreglass Ø6x65mm		01
2-3	wing nut	M5		02
2-31	nut mount	plywood 4x23x53		01
2-4	servo mount	polyurethan 13mm		08
2-41	wing servo cover	ABS plastic		04
2-5	aileron&flap pushrod	steel Ø1,8mm		04
2-6	clevis	MPJ 2110		04
2-8	aileron horn	fibreglass plate 1,5mm		02
2-81	flap horn	fibreglass plate 1,5mm		02
24	wing joiner	fibreglass Ø8x155mm		02
3	horizontal stabilizer	balsa assembly		02
3-21	centering pin	fibreglass Ø3x95mm		01
3-3	elevator joiner	fibreglass Ø4x150mm		01
3-5	elevator link	carbon tube Ø4x1000mm	01	
3-6F	clevis	MPJ 2110 (plastic)		01
3-6R	clevis	MPJ 2140, nut M2 (steel)		01+01
3-7	threaded coupler	MPJ 2039		02
3-8	elevator horn	fibreglass plate 2mm		01
4	fin	balsa assembly	01	
4-3	closing strip	plywood 6mm		01
4-5	rudder link	bowden Ø3x900mm, steel Ø1,2x1000mm	01 01	
4-6	threaded rod tip M2	MPJ 2762		01
4-8	rudder horn	fibreglass plate 1,5mm		01
6	canopy	fibreglass	01	
6-2	canopy fixing	fibreglass Ø2x200mm		01
6-21	mount	plywood 1x6x12mm		02
7	stickers		04	
11	pinned hinge	MS0124028		02

ATTENTION!

This model construction kit is not a toy and is not suitable for children under the age of 14. Incorrect use of this model could cause material damage or personal injury. You are fully responsible for your actions when you use this model.

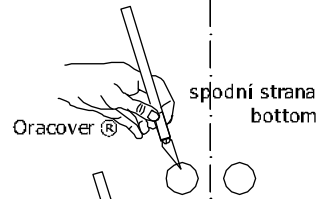
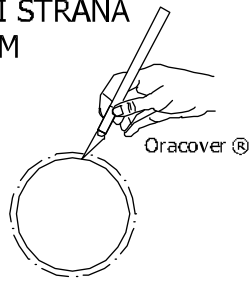
Fly at a safe distance from occupied zones. Before switching on the radio, be sure, that no one else is using the same frequency as you !

Before first take-off check up please the center of gravity, the sense and size of the control surface angle and if model aeroplane parts aren't crooked. The reparation is possible through the use of hot-air dryer.

Oracover®
pro 2-25
for 2-25

SPODNÍ STRANA
BOTTOM

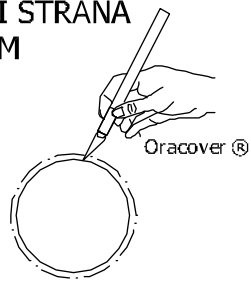
②



Oracover®
spodní + horní strana
bottom + top

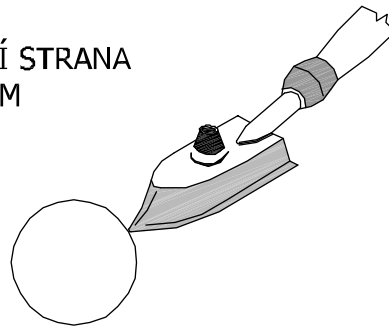
SPODNÍ STRANA
BOTTOM

②

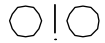


SPODNÍ STRANA
BOTTOM

②

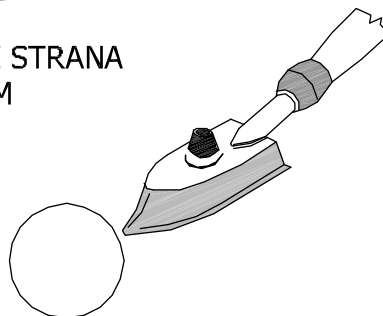


SPODNÍ STRANA
BOTTOM

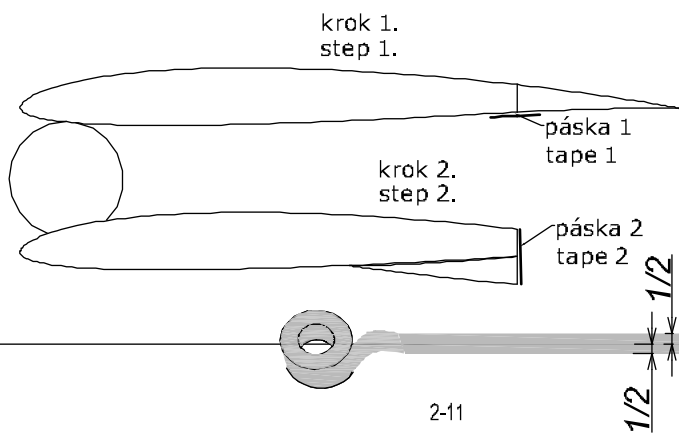


SPODNÍ STRANA
BOTTOM

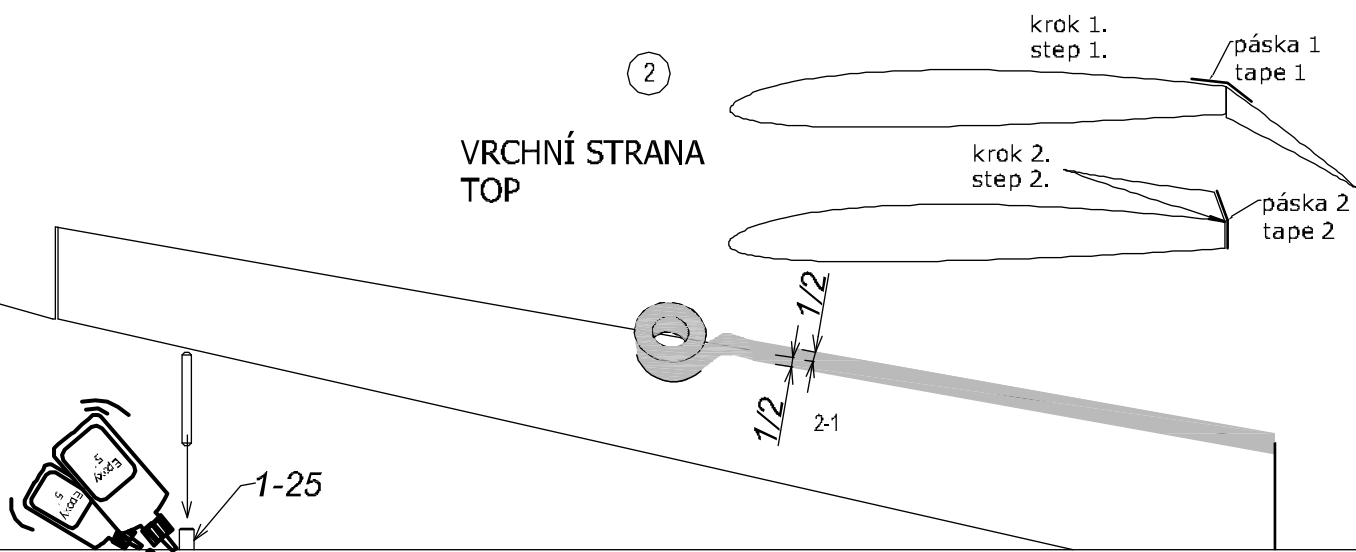
②



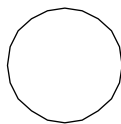
②
SPODNÍ STRANA
BOTTOM



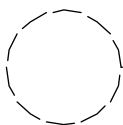
②
VRCHNÍ STRANA
TOP



②



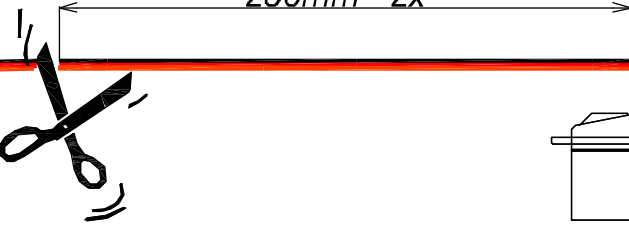
②



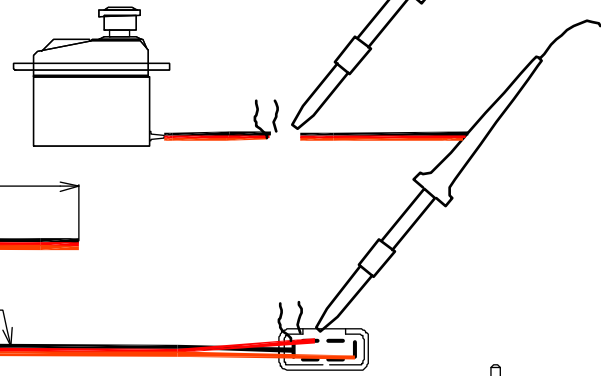
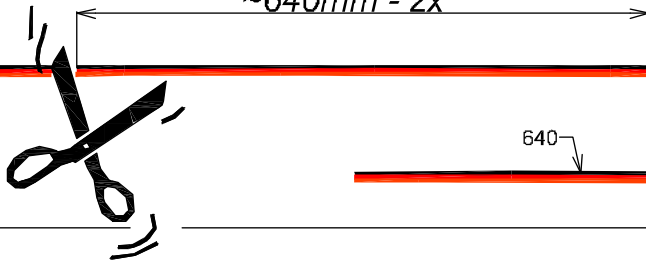
2-21



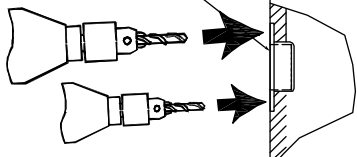
pro servo klapek
for flaps servo



pro servo křidélek
for aileron servo

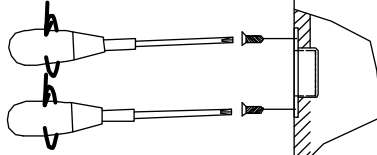


Nes001



Ø1,5 - 2x

2



2

zástrčka
plug

MULTIPLEX 6 PIN - 2x

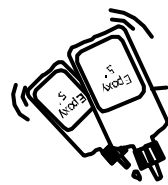
2

SPODNÍ STRANA
BOTTOM

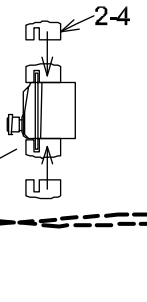
MULTIPLEX 6 PIN - 2x (L + R)
zástrčka
plug

SPODNÍ STRANA
BOTTOM

2



NEUTRAL

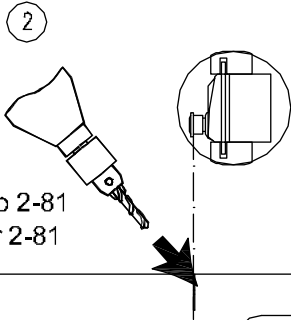


2-4

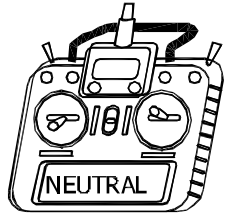
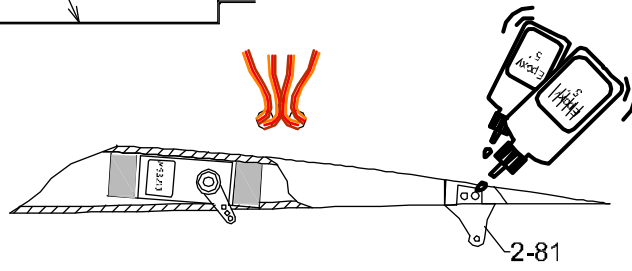
SPODNÍ STRANA
BOTTOM

2-5 "Z"

2
Ø1,5 pro 2-81
Ø1,5 for 2-81



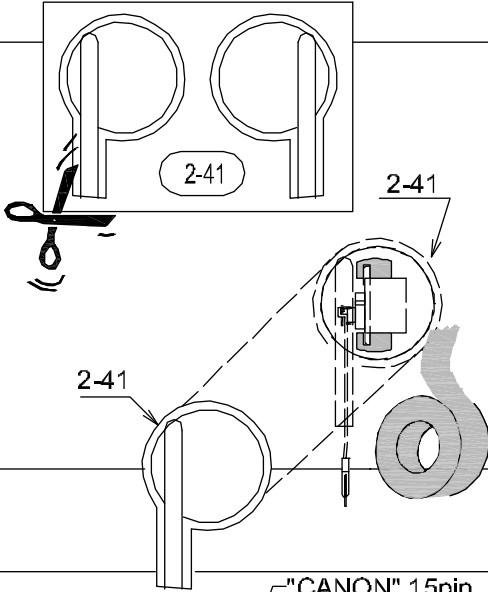
2-11



2-81 "Z" 2-5 2-6 2-81

"CANON" 15pin

SPODNÍ STRANA
BOTTOM



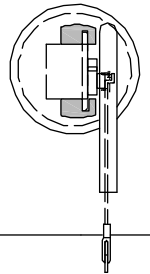
2-41

2-41

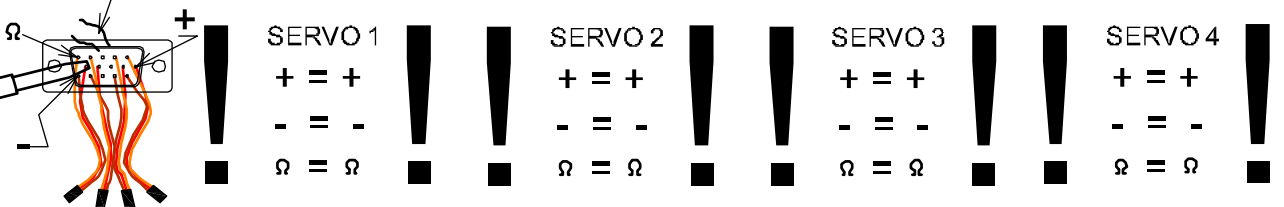
2-41

2-11

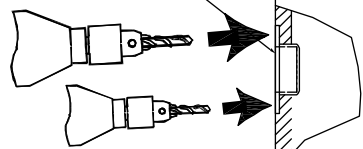
2



"CANON" 15pin

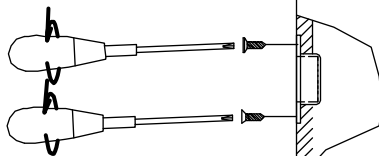


Nes001

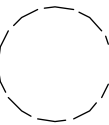


Ø1,5 - 2x

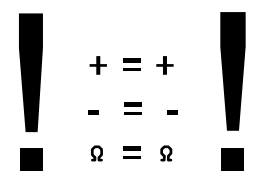
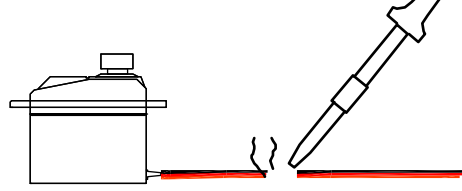
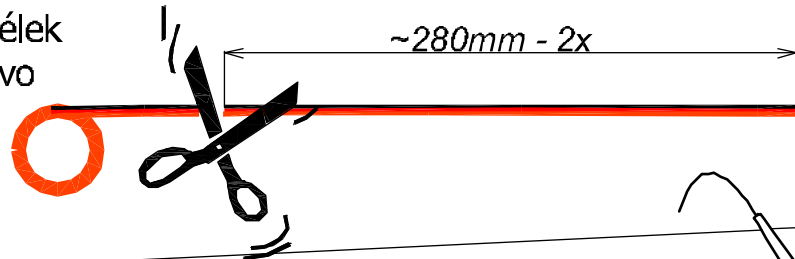
2



2



pro servo křídélek
for aileron servo



SPODNÍ STRANA
BOTTOM

2

NEUTRAL

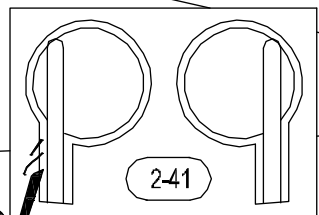
SPODNÍ STRANA
BOTTOM

2

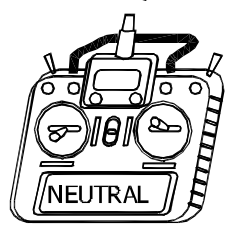
2-4

2-1

Ø1,5 pro 2-8
Ø1,5 for 2-8



2-41



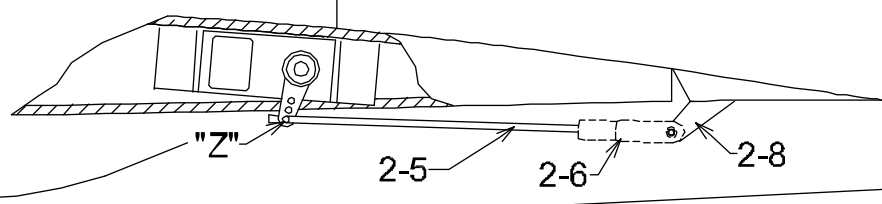
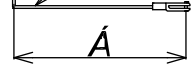
A

2-8

"Z"

2-5

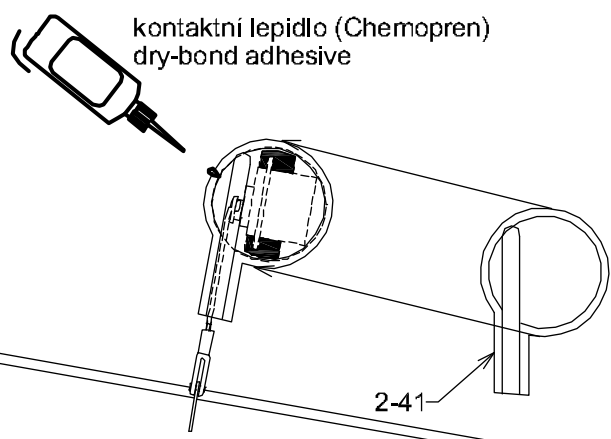
!!! A=Á !!!



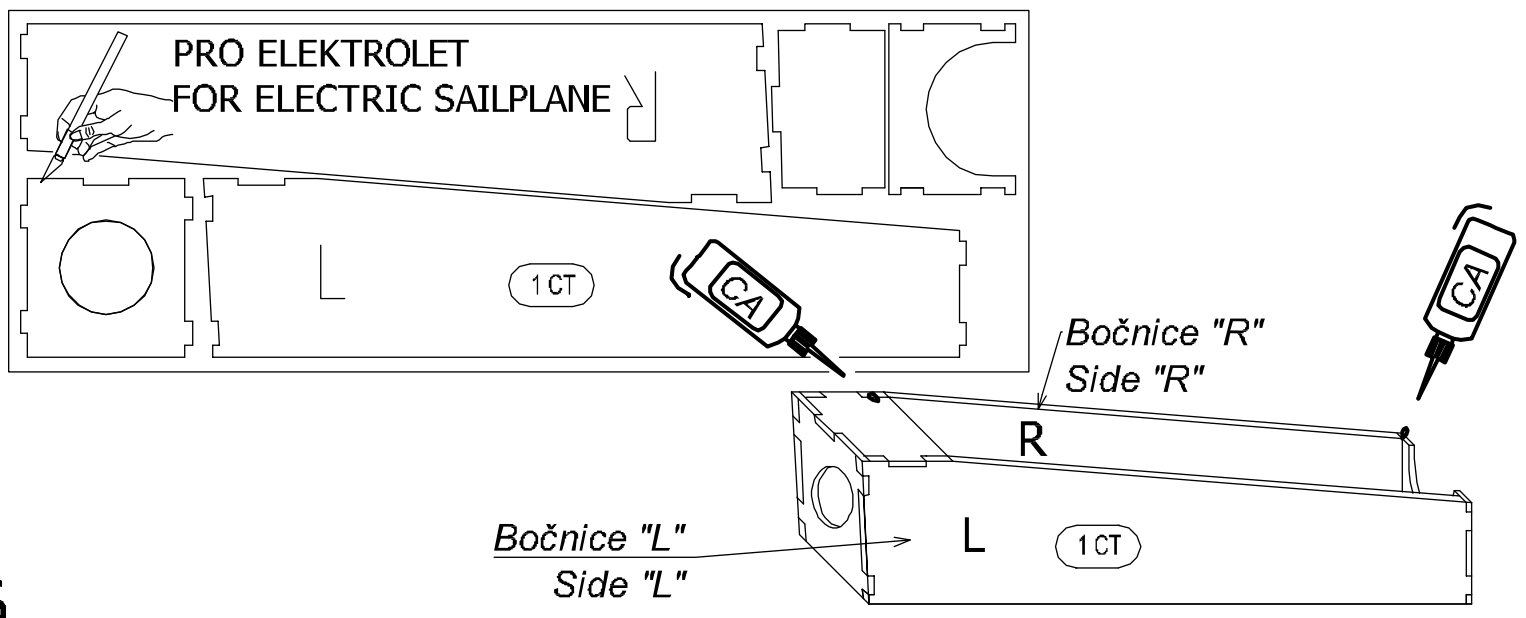
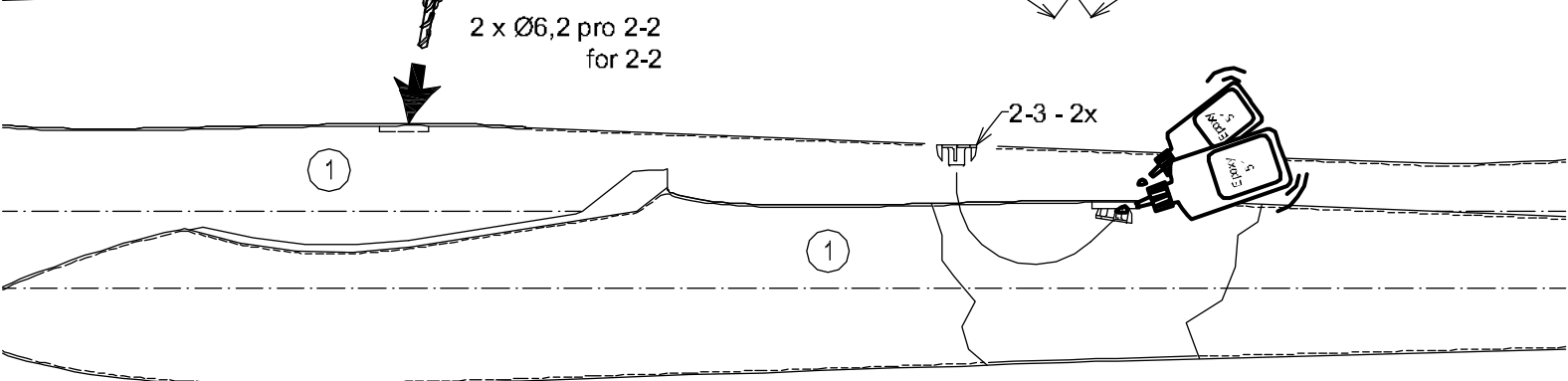
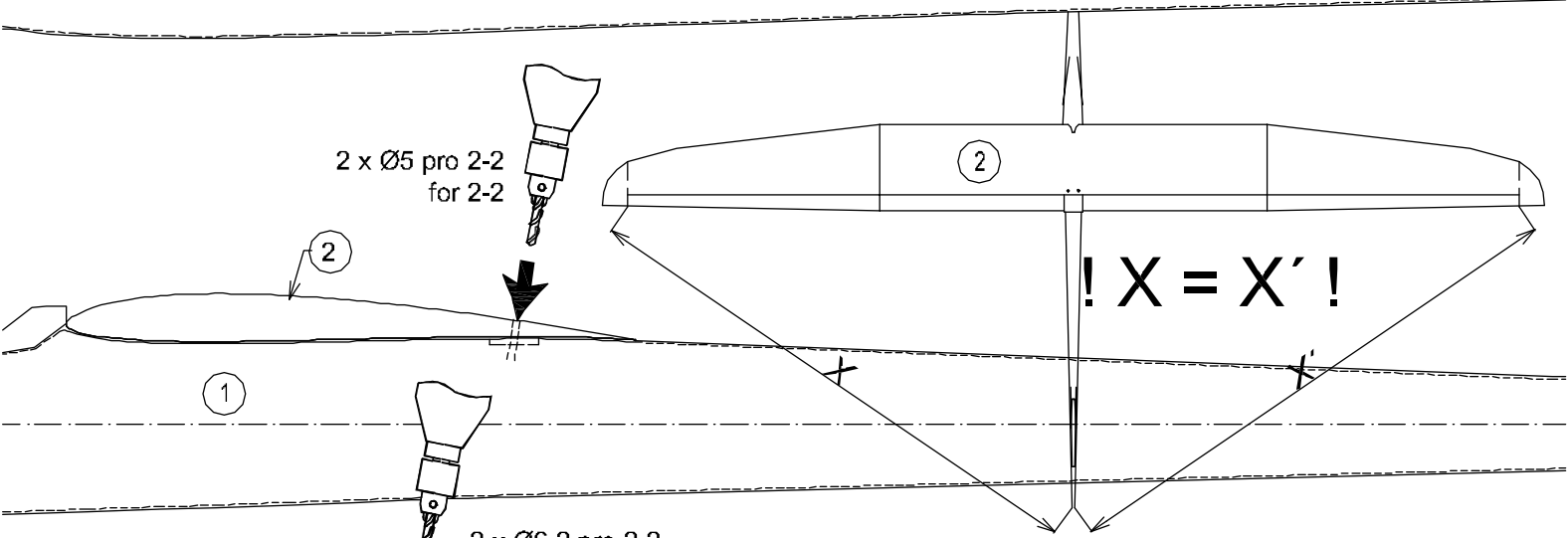
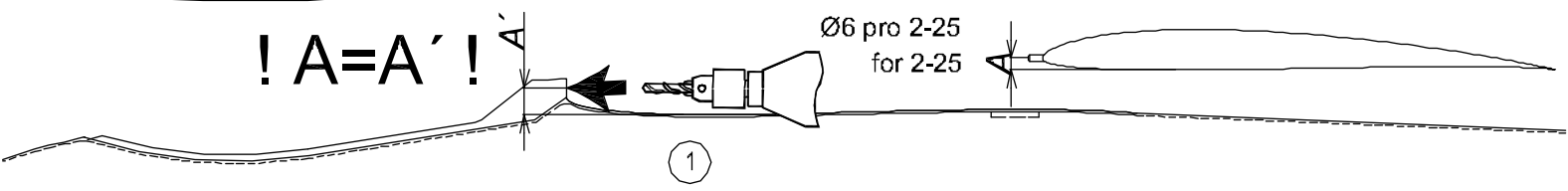
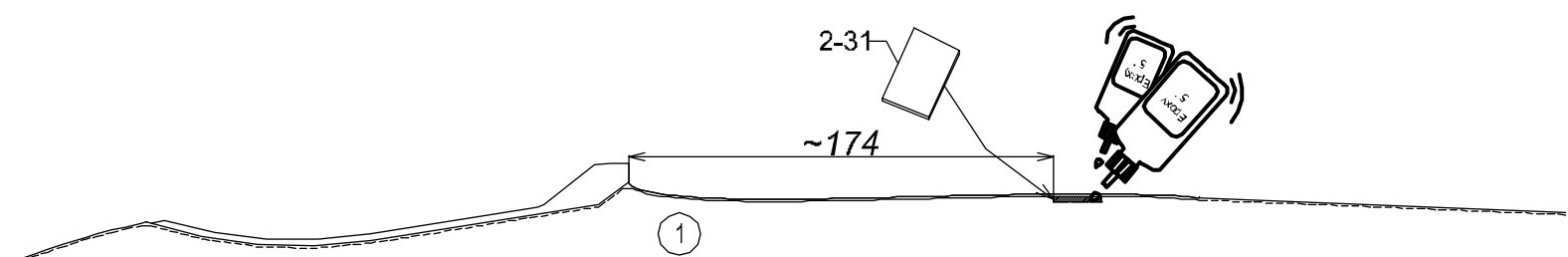
kontaktní lepidlo (Chemopren)
dry-bond adhesive

SPODNÍ STRANA
BOTTOM

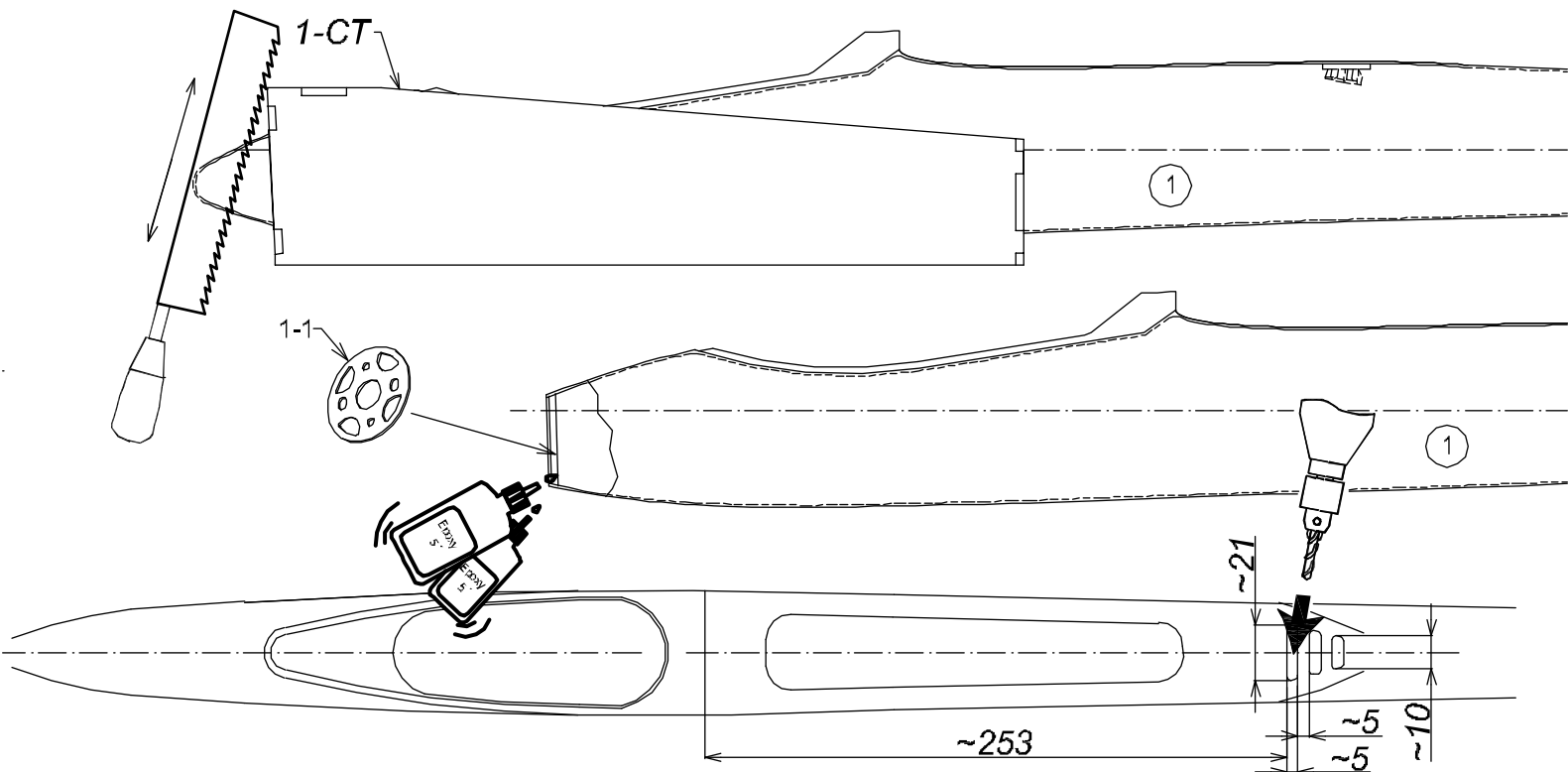
2



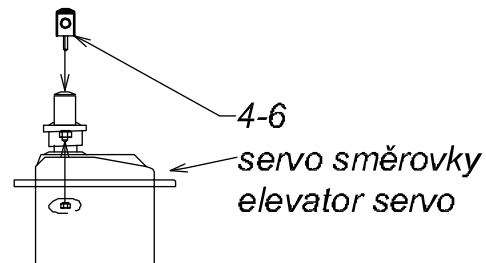
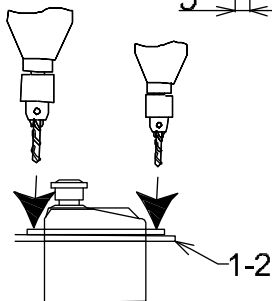
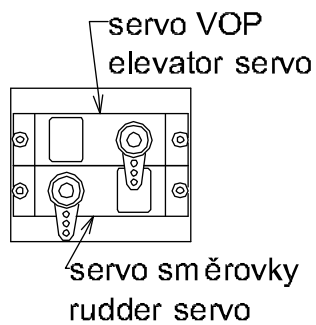
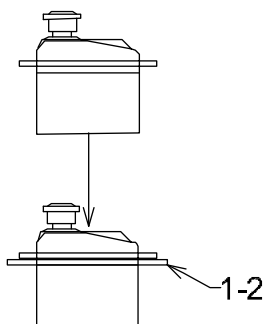
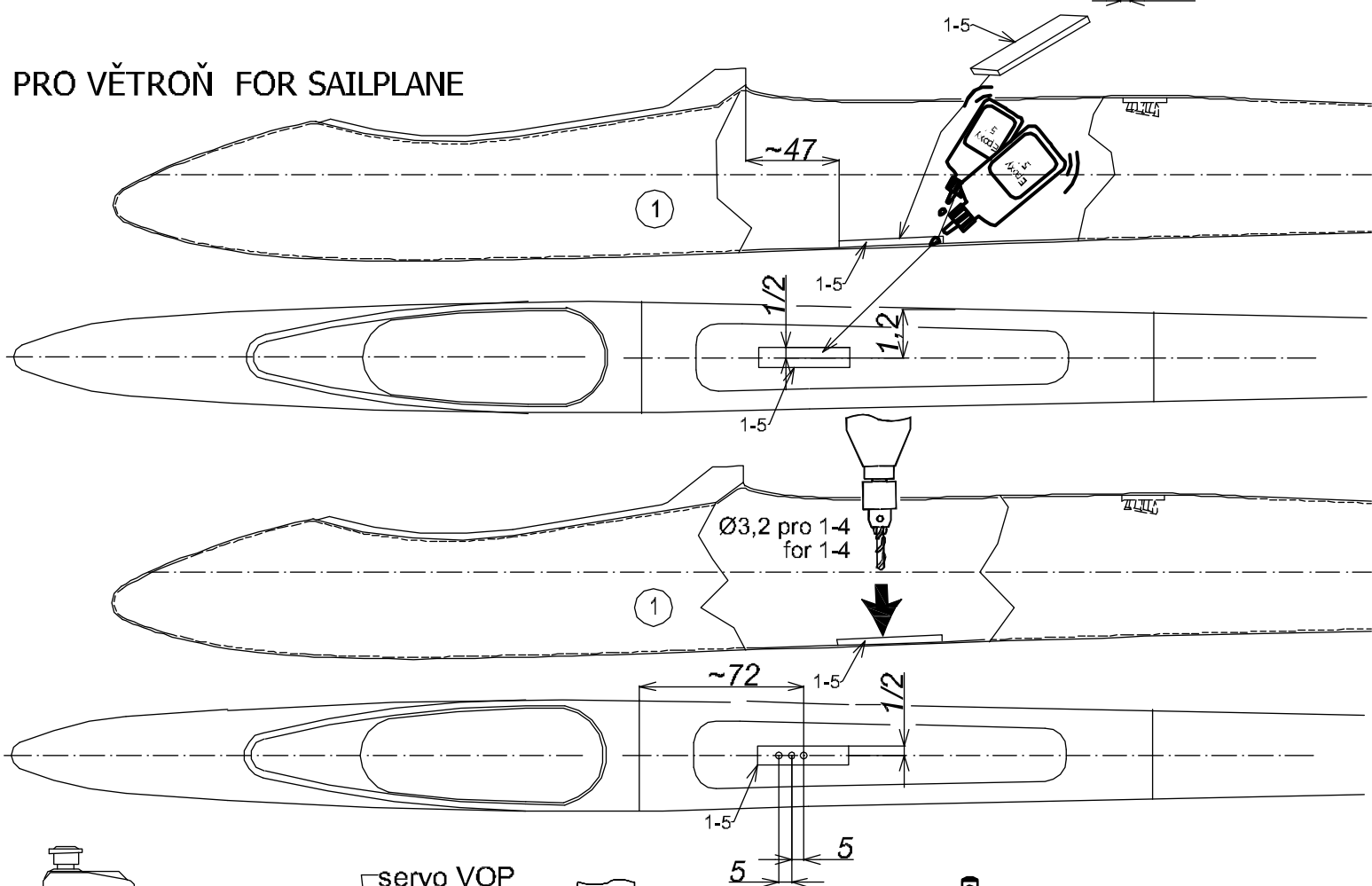
2-41

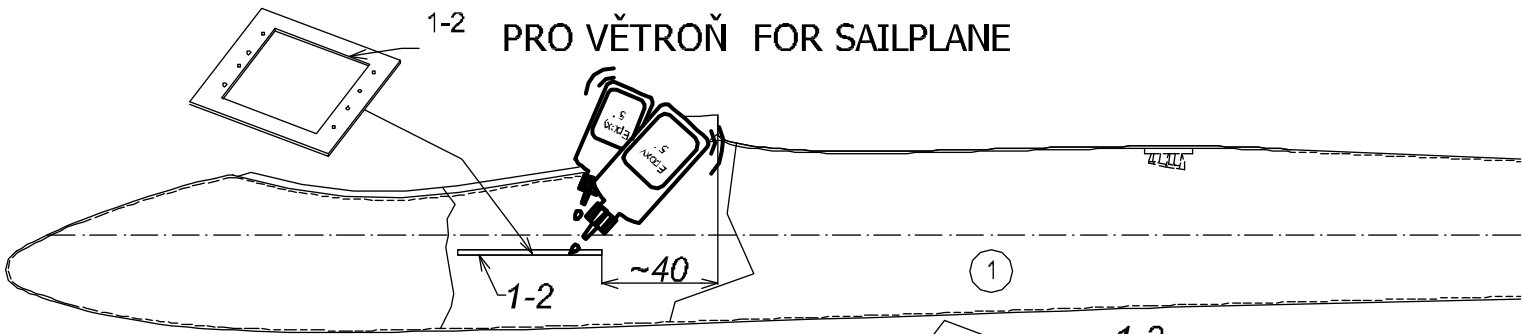


PRO ELEKTROLET FOR ELECTRIC SAILPLANE

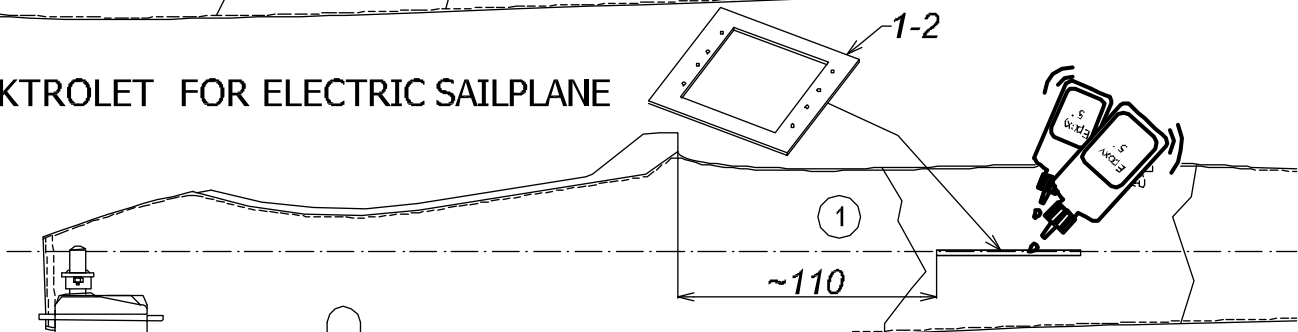


PRO VĚTROŇ FOR SAILPLANE



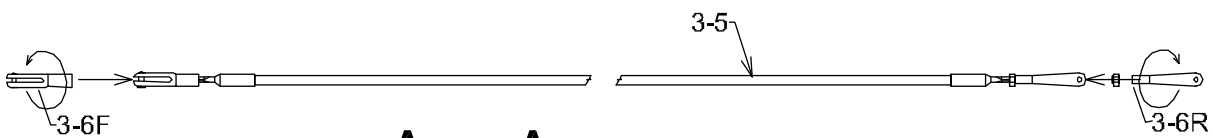
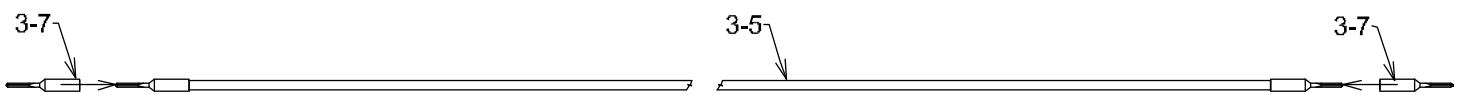
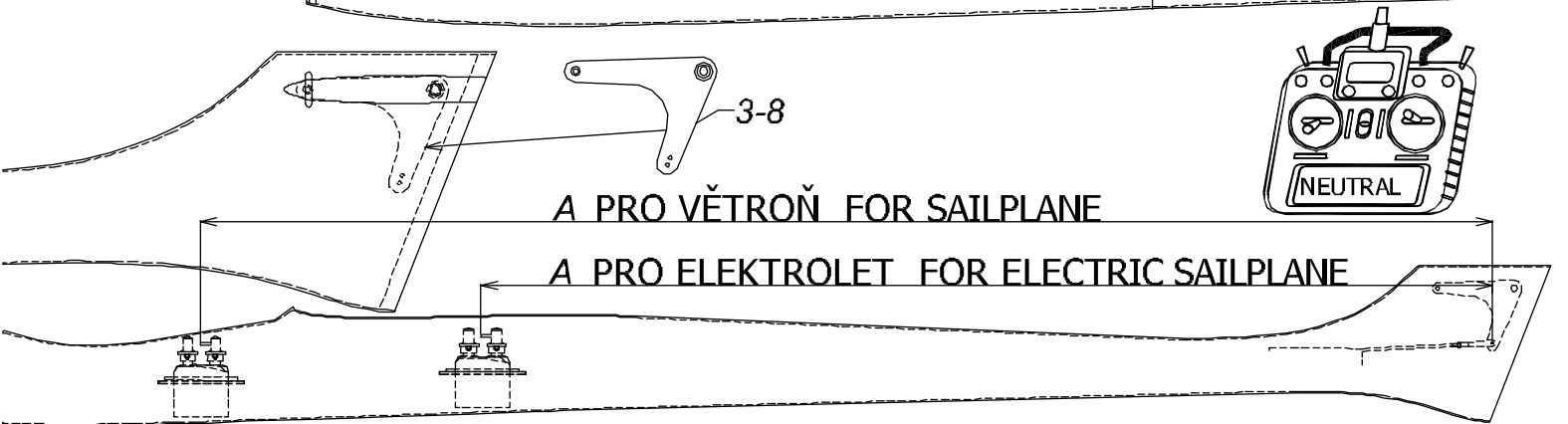
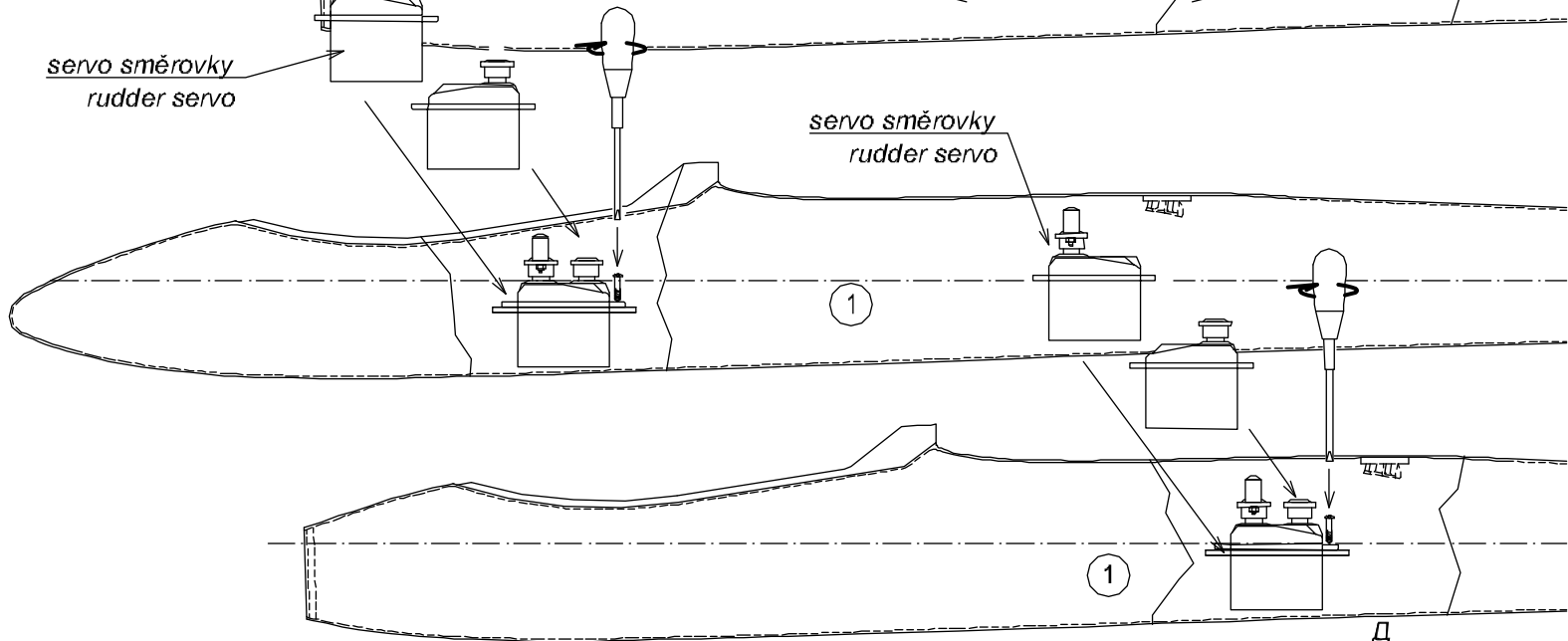


PRO ELEKTROLET FOR ELECTRIC SAILPLANE

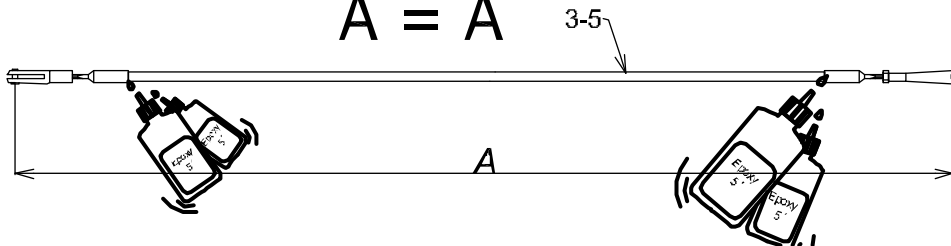


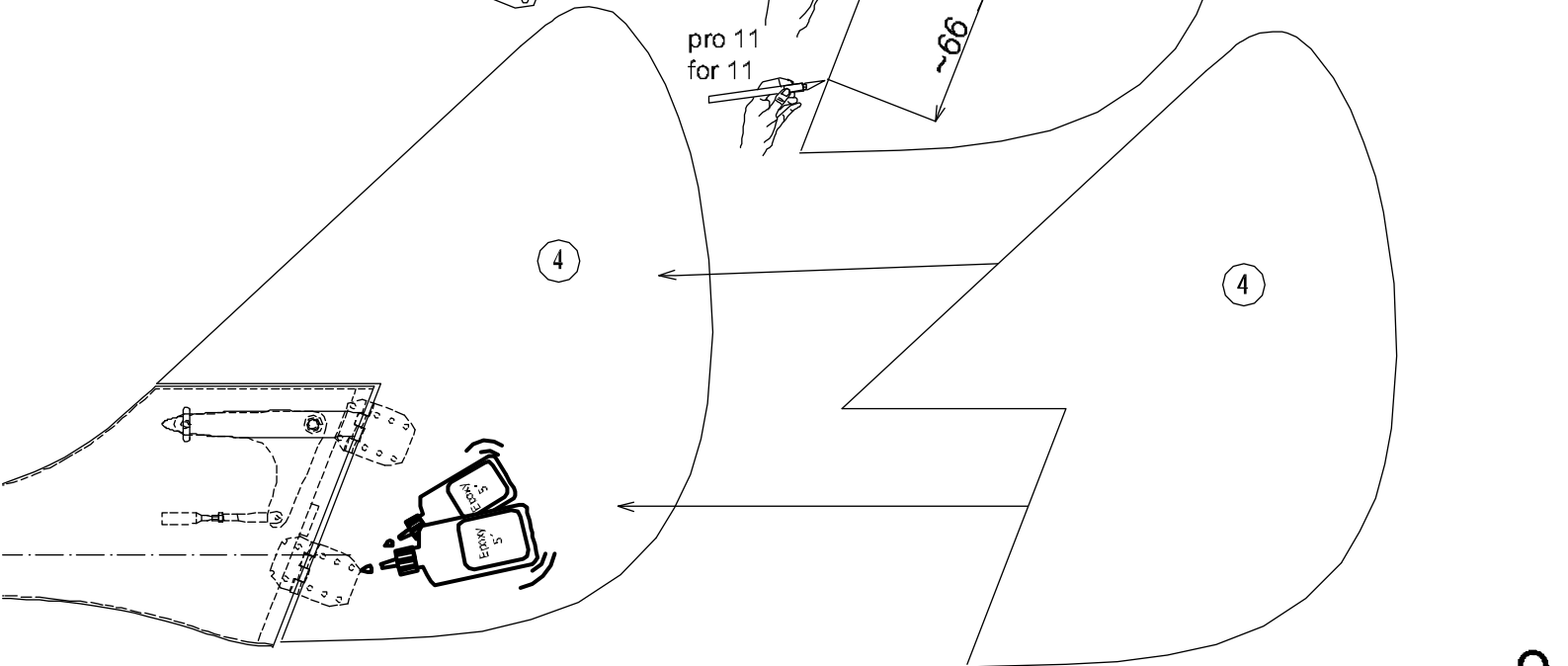
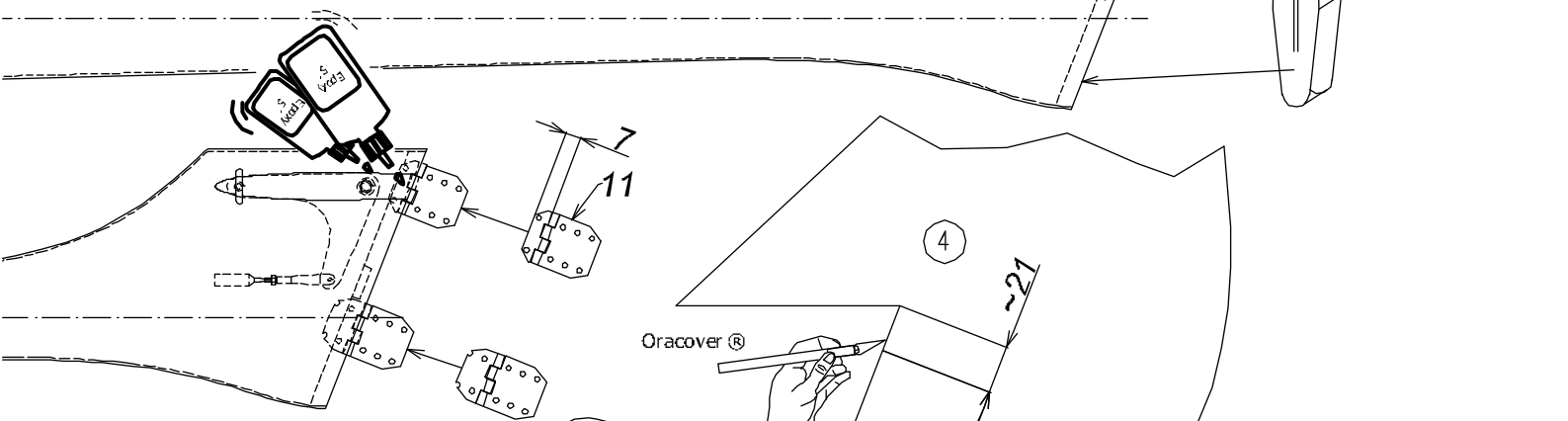
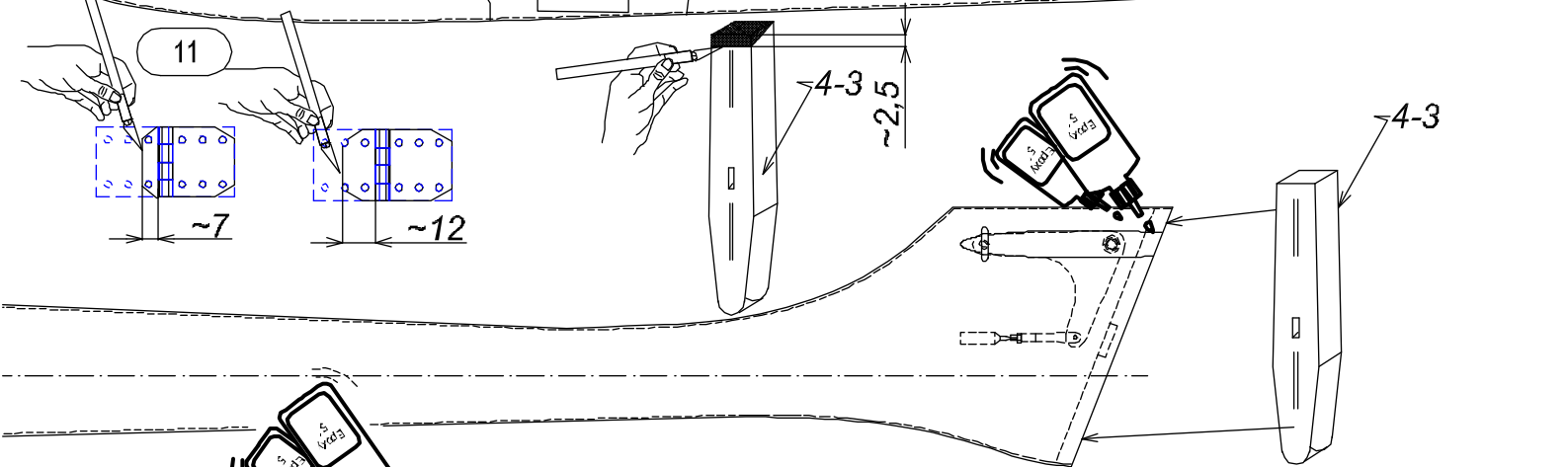
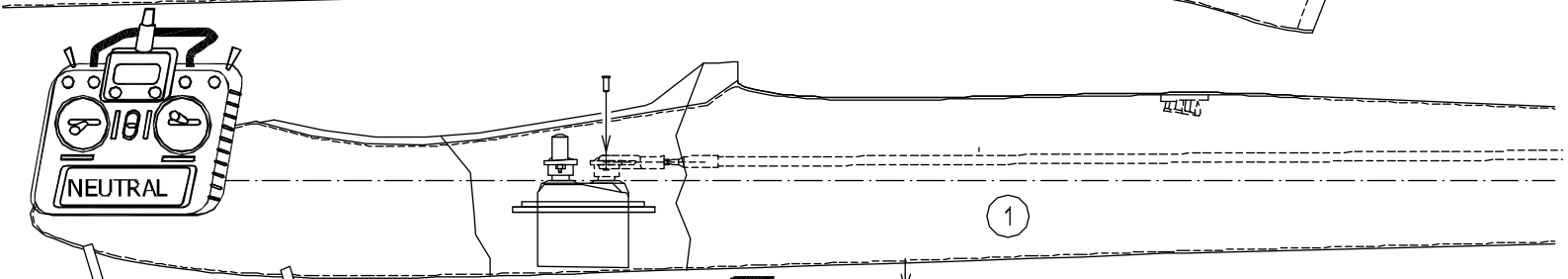
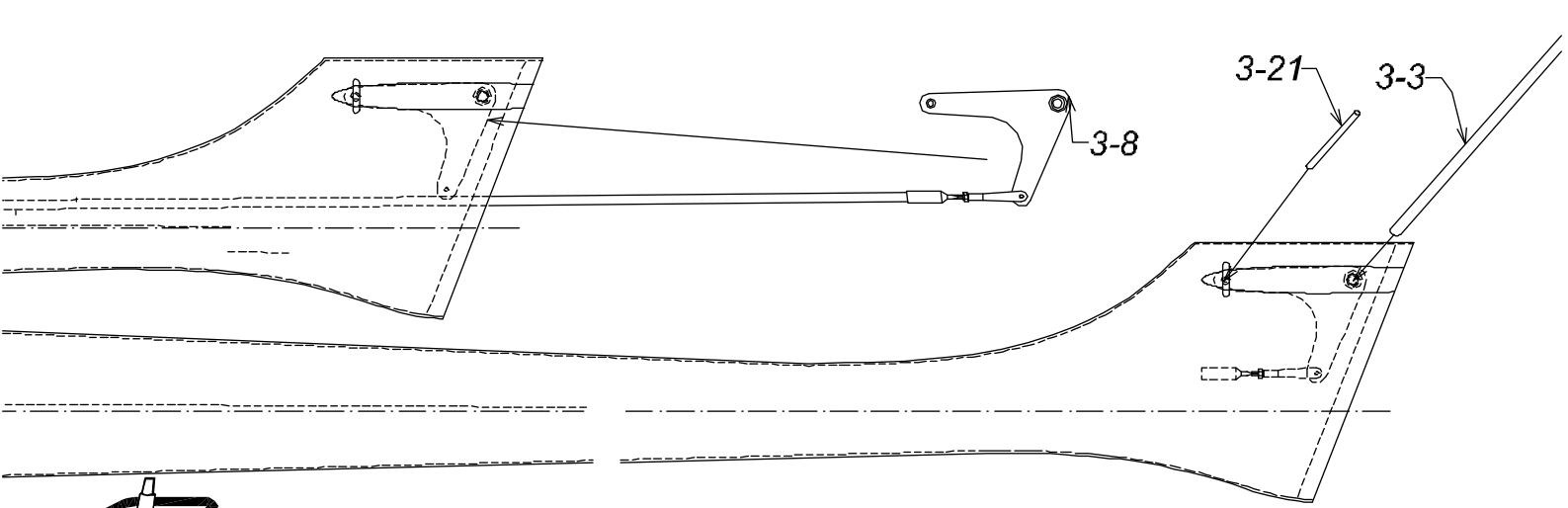
servo směrovky
rudder servo

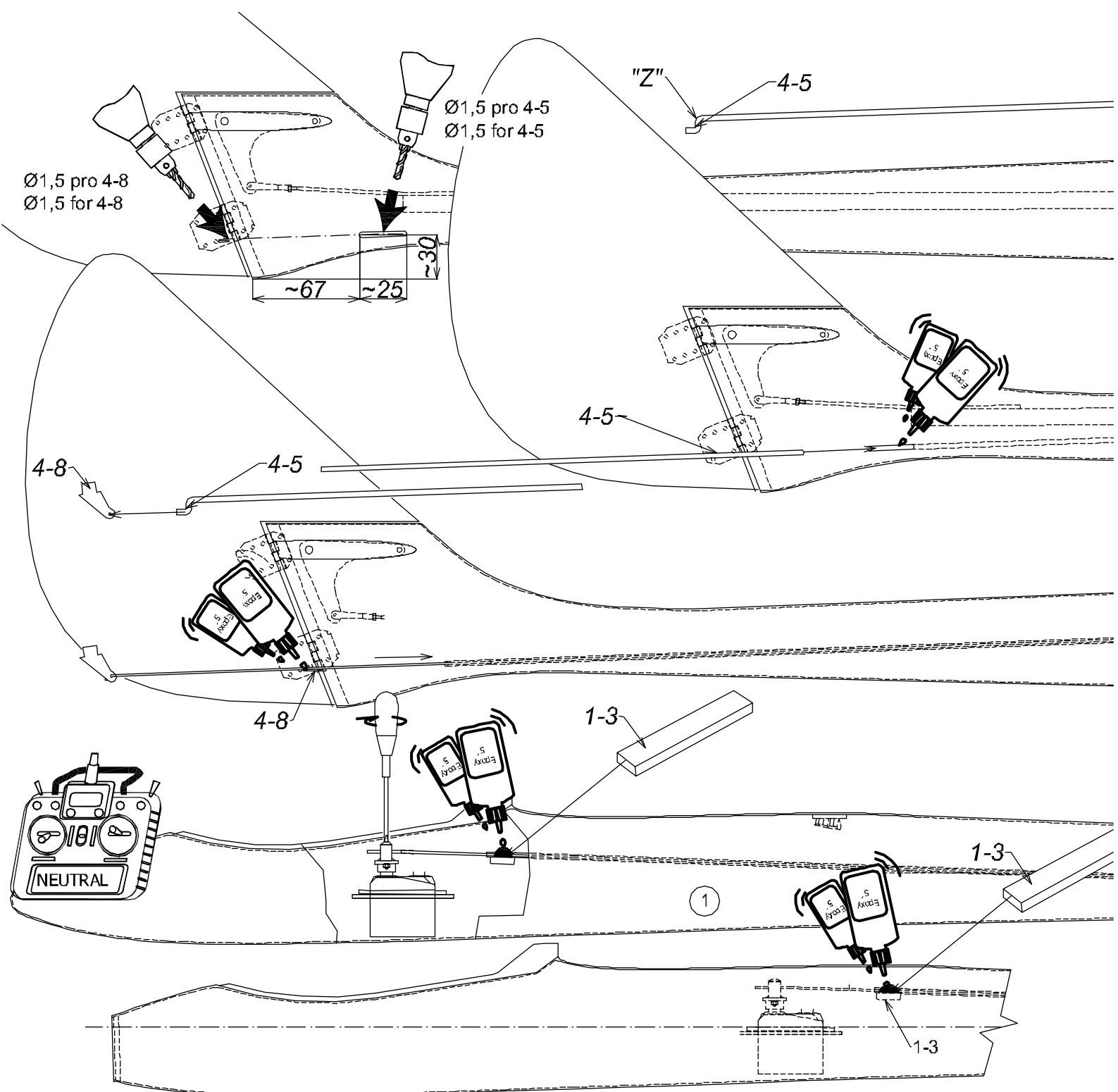
servo směrovky
rudder servo



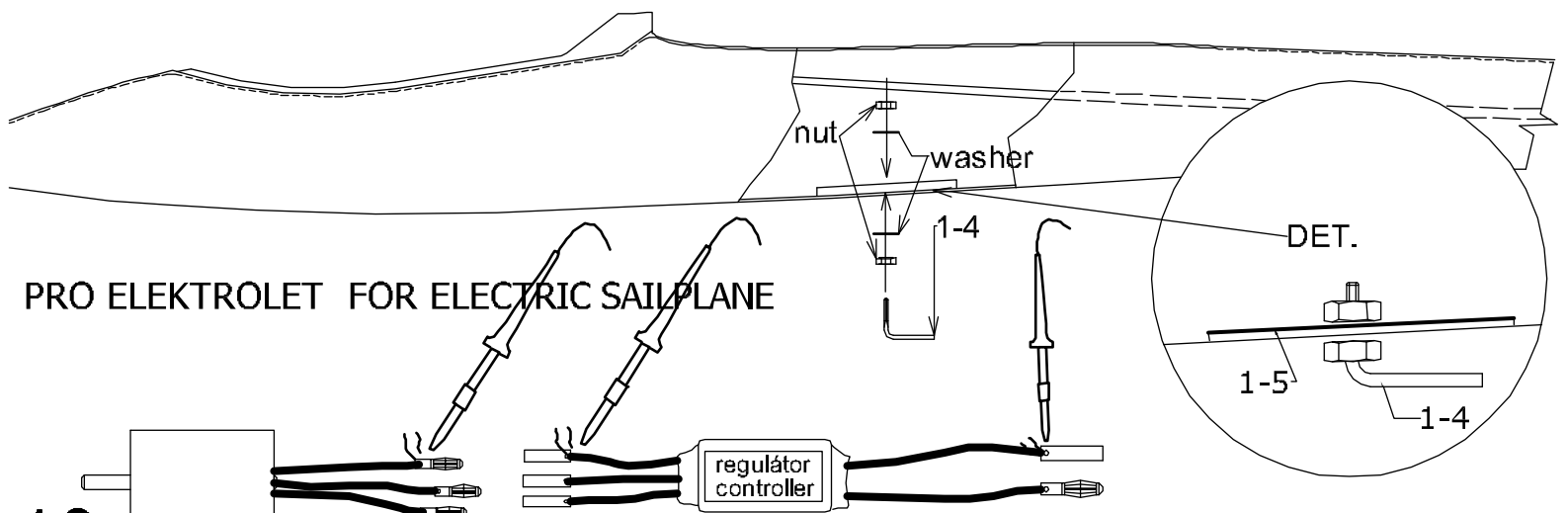
A = A



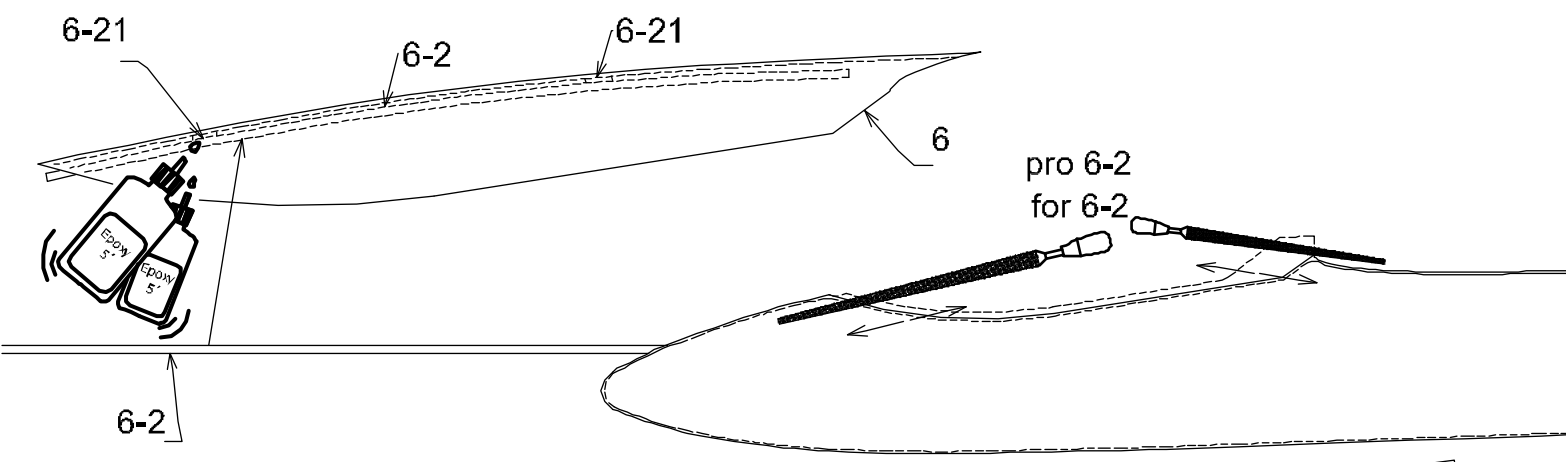




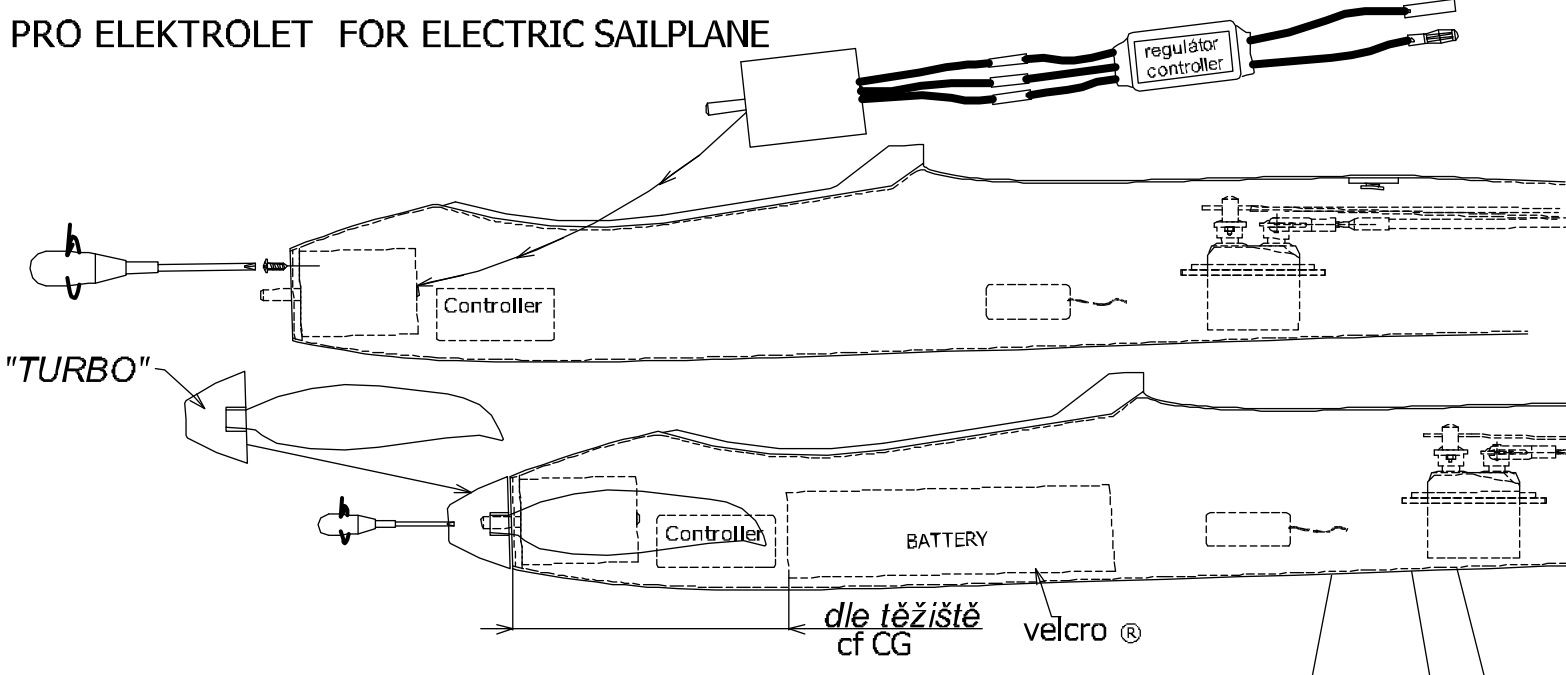
PRO VĚTROŇ FOR SAILPLANE



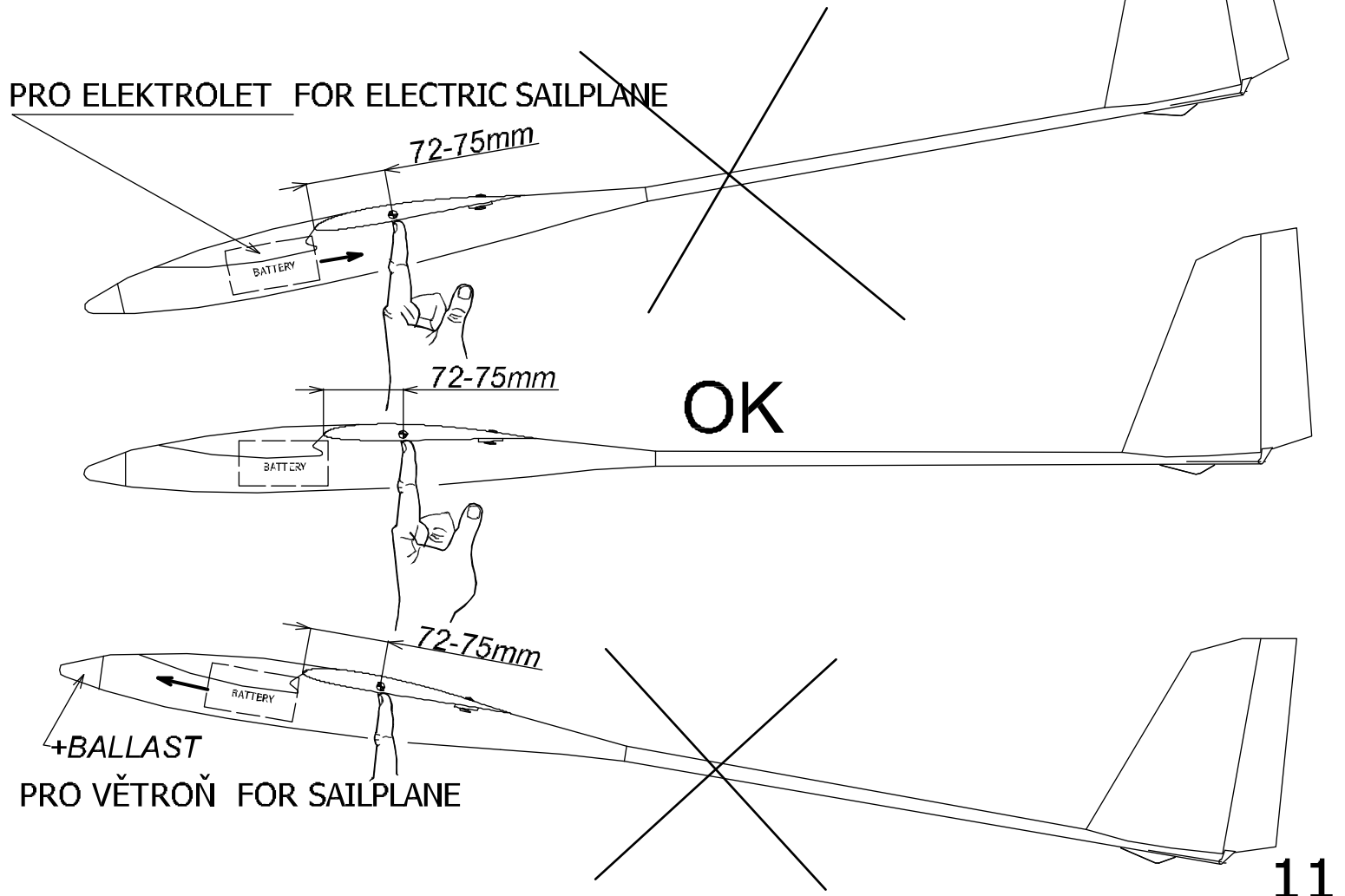
PRO ELEKTROLET FOR ELECTRIC SAILPLANE



PRO ELEKTROLET FOR ELECTRIC SAILPLANE



PRO ELEKTROLET FOR ELECTRIC SAILPLANE



Recommended rudder angles :

Ailerons: up 18 °
down 11 °
Elevator: Up 8 °
down 8 °
Rudder: 25 °

Settings for thermal flying:

Ailerons works as flap: down 1-1.5 °

Flap: down 2 °

Settings for landing:

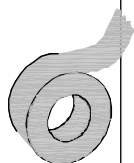
Flap works as airbrakes (for landing): down 80 °

Ailerons works as airbrakes (for landing): up 17 °

Elevator for landing: -5 ° (suppression - compensation of overturning moment for flaps)

RECOMMENDED EQUIPMENT				
		Pieces		Item No. www.topmodelcz.cz
transmitter	5 channel			
reciever	6-7 channel			
servo	HS-82MG	4	for ailerons & flaps	1HI7297
	HS-485HB	2	for elevator & rudder	1HI3085
motor	Mega ACn 22/30/3E	1		20223003E
controller	SPIN 66	1		1RC23205
spinner	turbo Ø40;5;8	1		0201559
propeller	CAM Carbon 14x8"	1	for 3S LiPo	723468
propeller	CAM Carbon 12x6,5"	1	for 4S LiPo	723446
battery	3 - 4S ~2,7 - 4Ah	1		

②



Pro zajištění částí křídla použij lepicí pásku, nebo namontuj
Zajištění křídla mini - 03801

Use adhesive tape to connect wing parts or mount the clip
fixing mini - item No.03801

②

