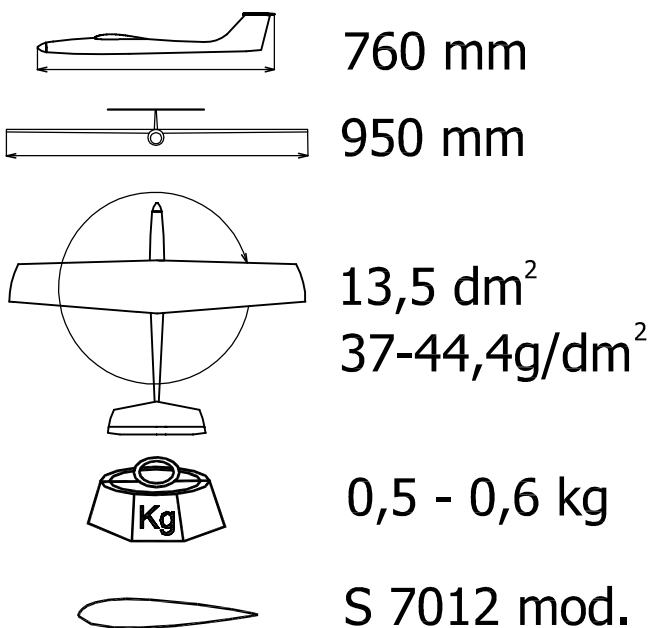


# SPEED AIRPLANE

## STINGER 1



Order N°: 02041.1



760 mm

950 mm

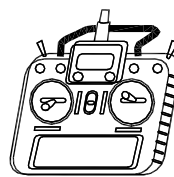
13,5 dm<sup>2</sup>  
37-44,4g/dm<sup>2</sup>

0,5 - 0,6 kg

S 7012 mod.

*Není-li uvedeno jinak, všechny  
neoznačené míry jsou v milimetrech  
UNLES STATED, ALL DIMENSIONS  
ARE IN MILIMETERS*

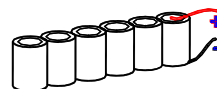
Radio system you'll need :



- ailerons - 2 servos
- elevator
- motor



Mega ACn 16/25/1,5S  
Mega ACn 16/15/3



3S LiPo 2-2,3 AH

Manufactured by:

**TOPMODEL CZ**

679 05 HABRŮVKA 100 - CZECH REPUBLIC

[www.topmodelcz.com](http://www.topmodelcz.com)

e-mail: [info@topmodelcz.cz](mailto:info@topmodelcz.cz)

Part #	Part name	Material/dimensions	Loose	In bag	
	building instruction		01		
1	fuselage	fibreglass	1		02040-1C
1-1	motor mount	fibreglass plate 2mm		01	2040.1NEW-1C
1-21	elevator servo mount	polyurethan 11mm		02	05029
2	wing	balsa assembly	01		02040.1-2ARF
2-1	aileron	balsa	02		02040-2ARC
2-21	wing pin	fibreglass Ø4x40mm		01	6BI21829
2-2	wing screw	nylon M4x20mm		01	1310
2-3	wing nut	Al M4		01	1022 AL
2-31	nut mount	plywood 3x25x38mm		01	02041-2-31
2-4	aileron servo mount	polyurethan 11mm		04	5029
2-41	aileron servo cover	ABS plastic Ø58mm		02	05018-6
2-5	aileron pushrod	steel M2x45mm		02	zavit2025
2-6	clevis	Plastic clevis, l=23 mm		04	2110
2-8	aileron horn	fibreglass plate 1,5 mm		02	05034
3	horizontal stabilizer	balsa	01		02040.1-3ARF 02040-3ARC
3-5	elevator pushrod	steel Ø1,2x150mm		01	519.1,2
3-6	pushrod connector	MPJ 2764 BR		01	2764 BR
3-8	elevator horn	fibreglass plate 1mm		01	5034
3-41	elevator servo cover	sticker		01	terc50
7	stickers		02		02040.1-7

### RECOMMENDED EQUIPMENT

		Pieces		Item No. <a href="http://www.topmodelcz.cz">www.topmodelcz.cz</a>
transmitter	4 channel			
reciever	5-7 channel			
servo	Savox SH-0255MG	2	for ailerons	1SV2110
	Hitec HS-53	1	for elevator	1HI30123
controller	SPIN 55 PRO JETI	1		1RC23204
spinner	Alu electro Ø 30/3,2/M5	1		7020
propeller	CAM SPEED PROP 12x12 cm	1		1361.12.12
battery	3S ~2 - 2,3Ah	1		

### **ATTENTION!**

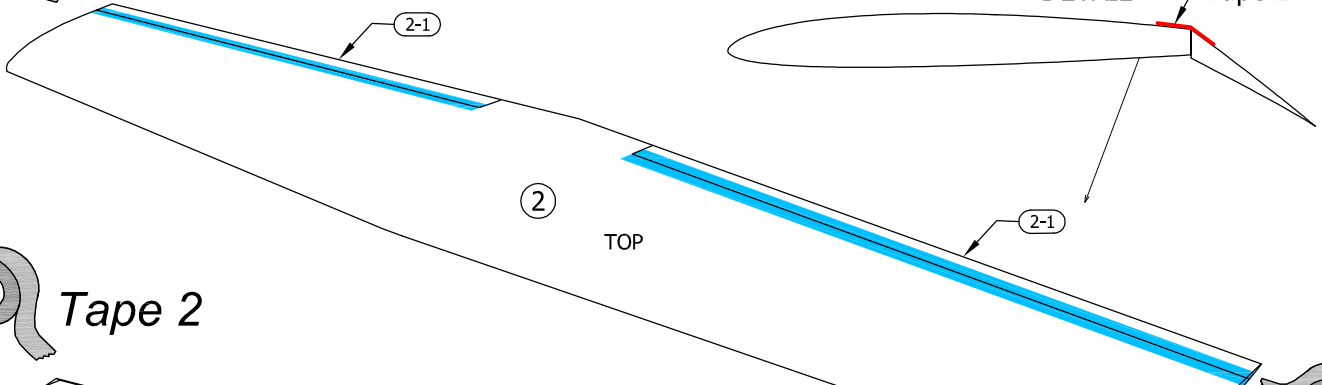
This model construction kit is not a toy and is not suitable for children under the age of 14. Incorrect use of this model could cause material damage or personal injury. You are fully responsible for your actions when you use this model.

Fly at a safe distance from occupied zones. Before switching on the radio, be sure, that no one else is using the same frequency as you !

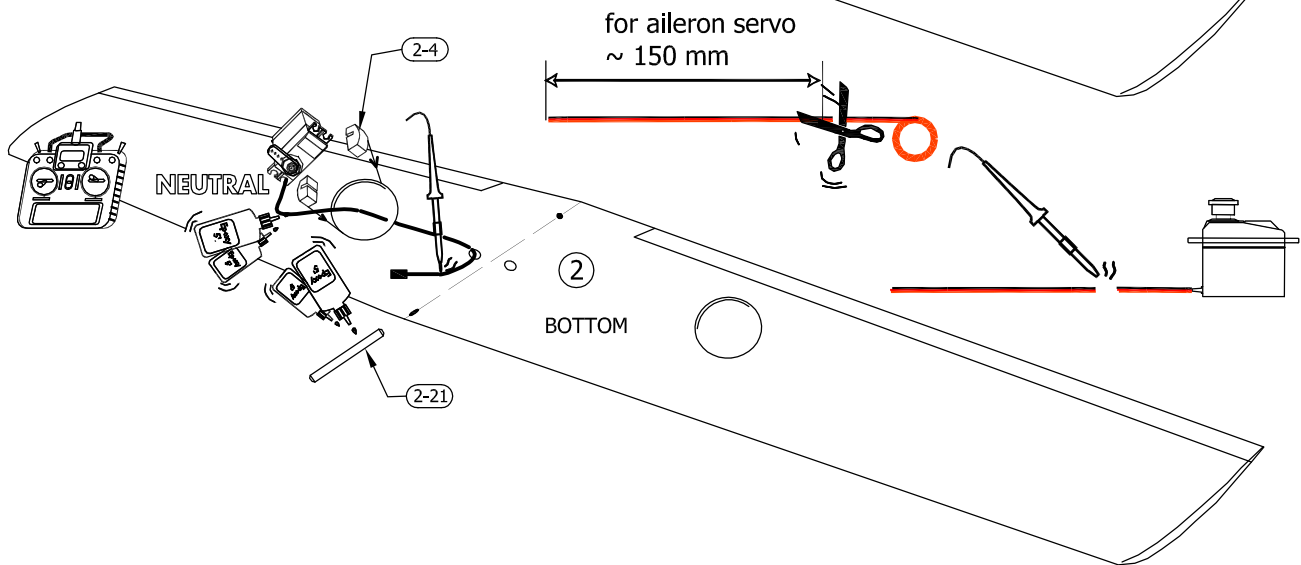
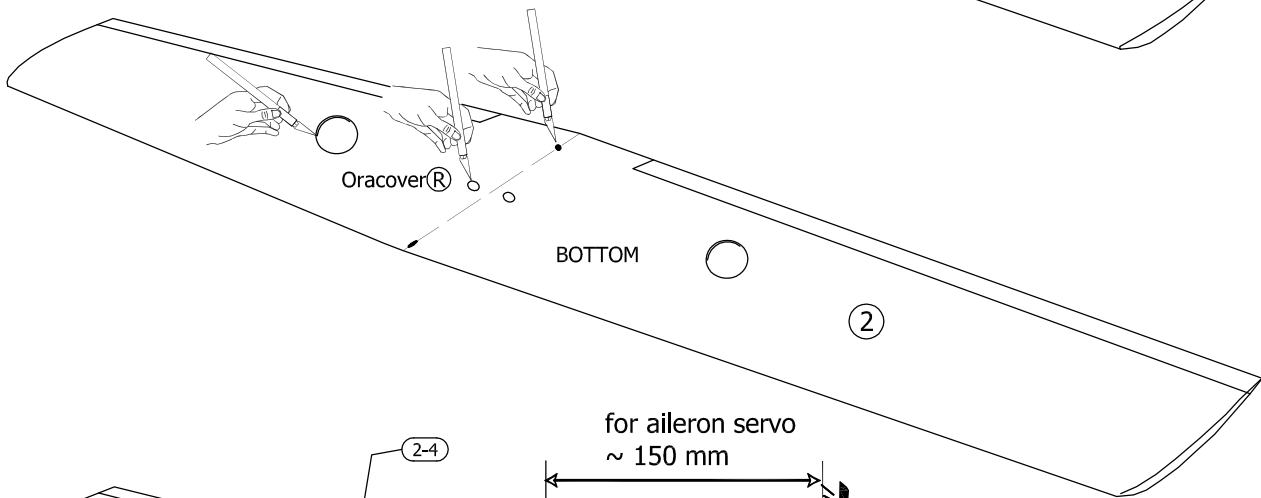
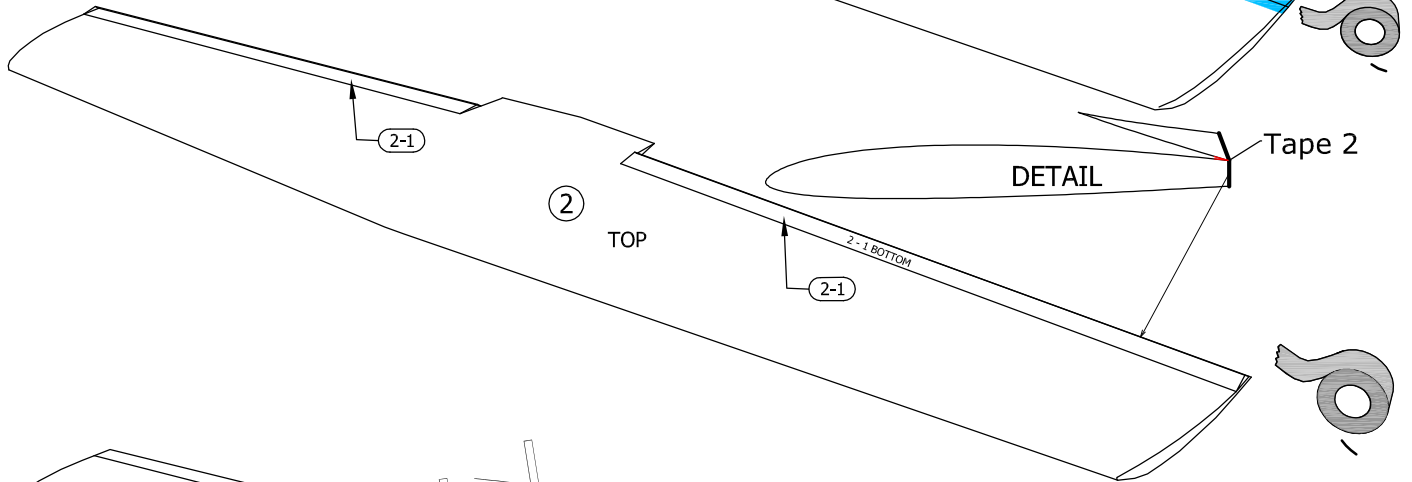
Before first take-off check up please the center of gravity, the sense and size of the control surface angle and if model aeroplane parts aren't crooked. The reparation is possible through the use of hot-air dryer.

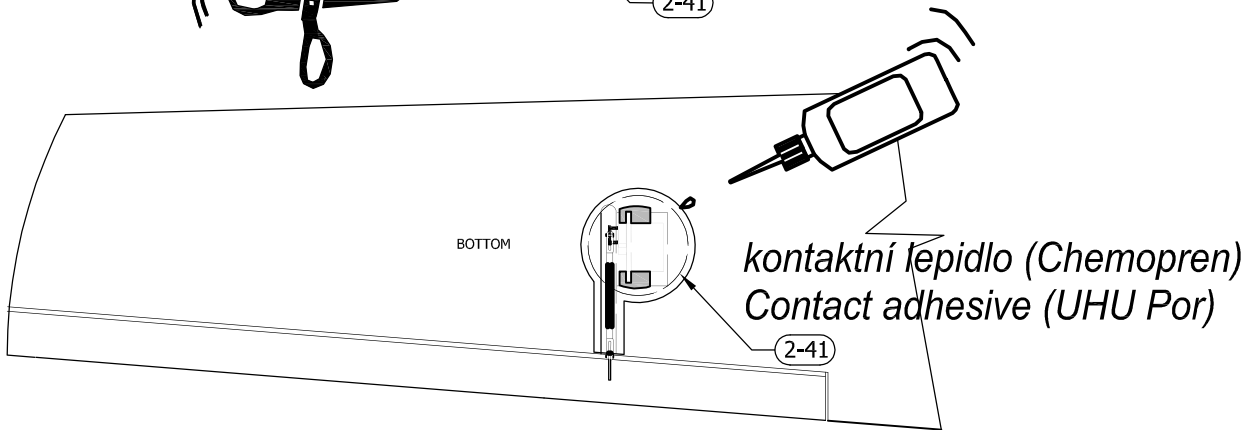
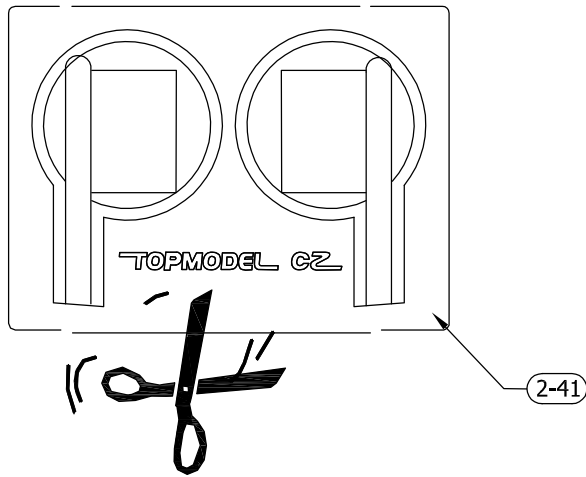
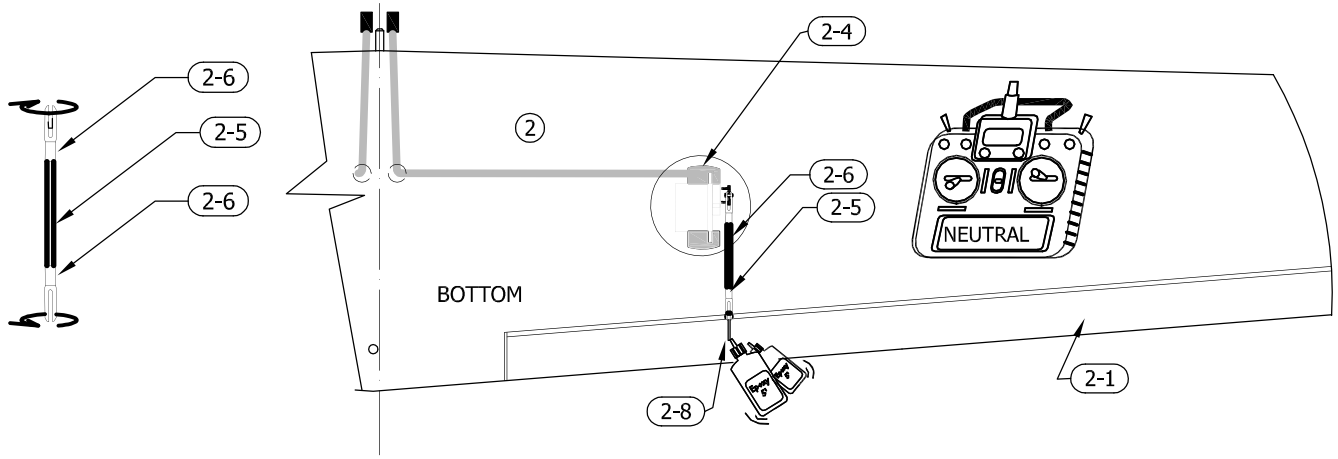
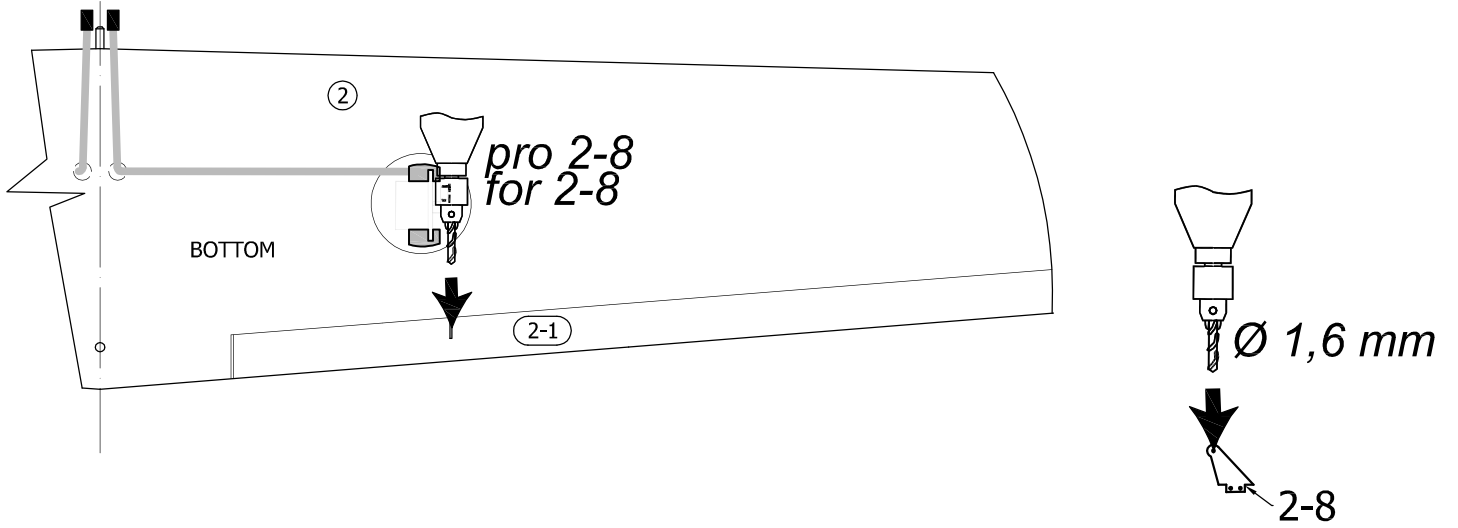


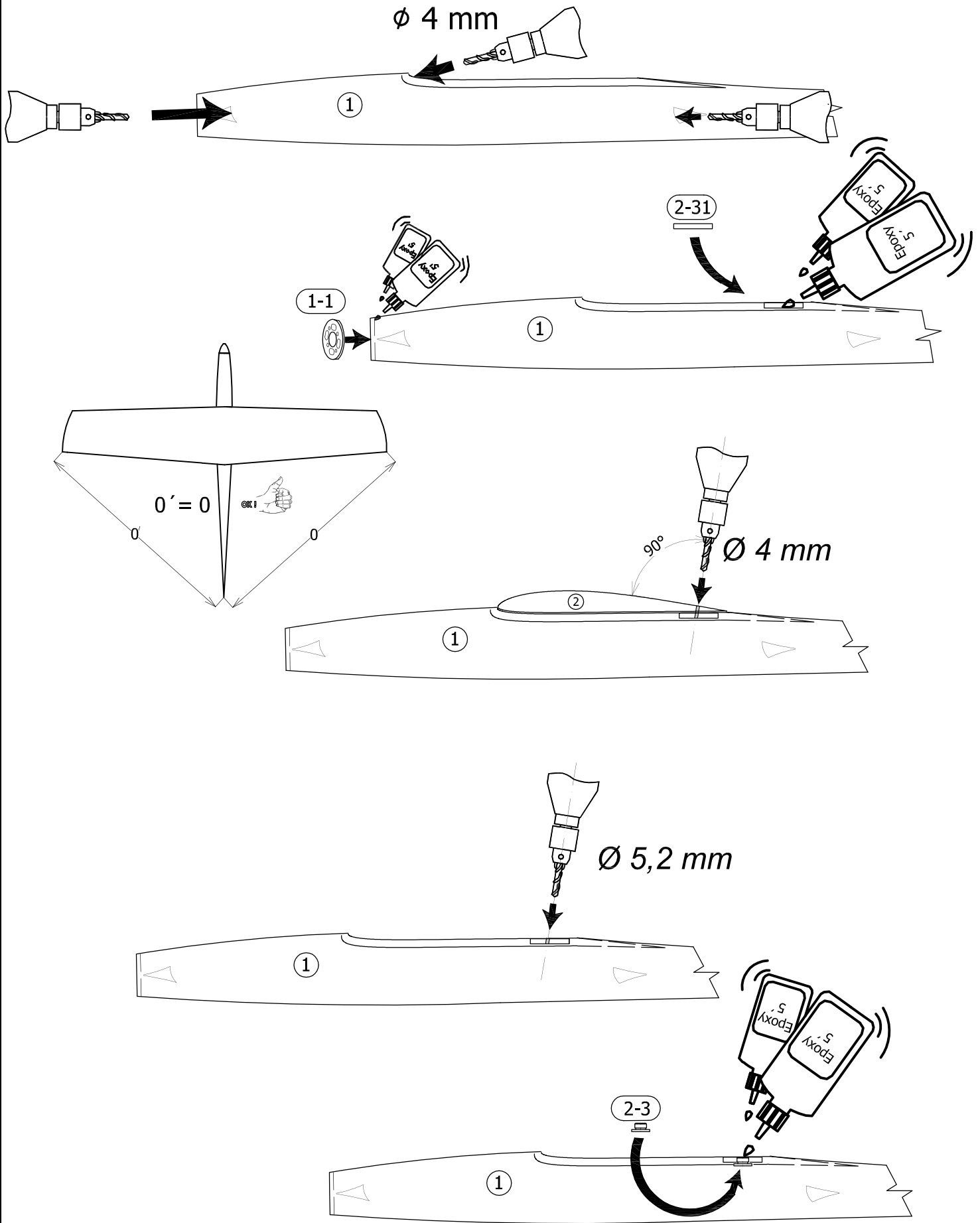
Tape 1

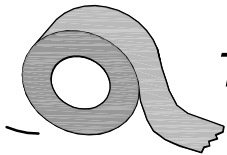


Tape 2

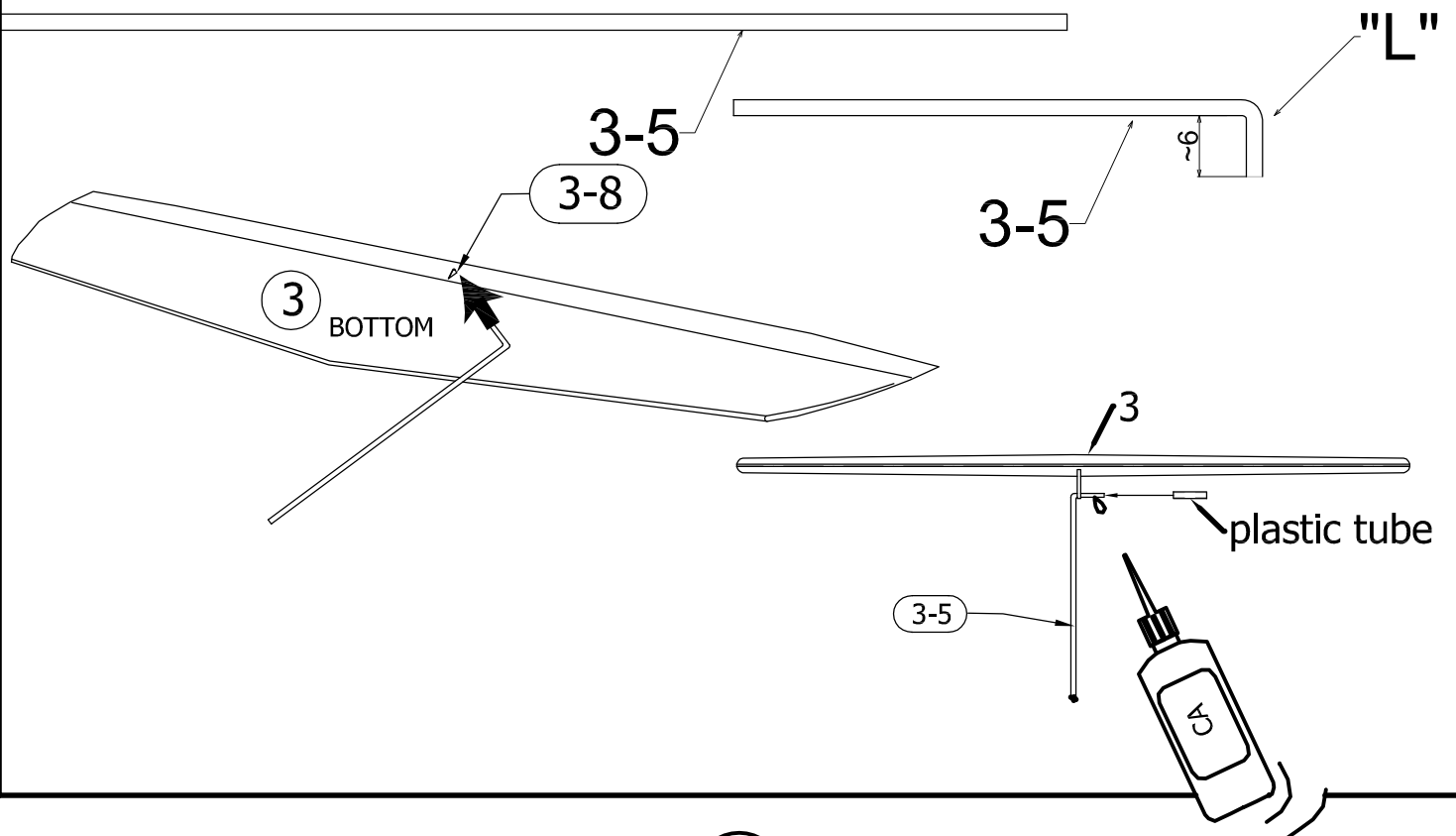
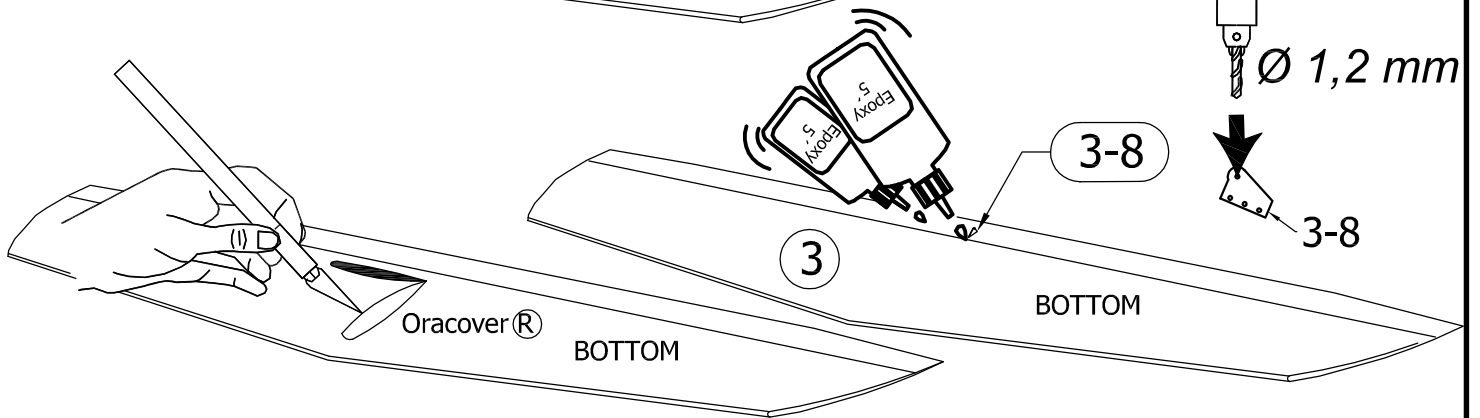
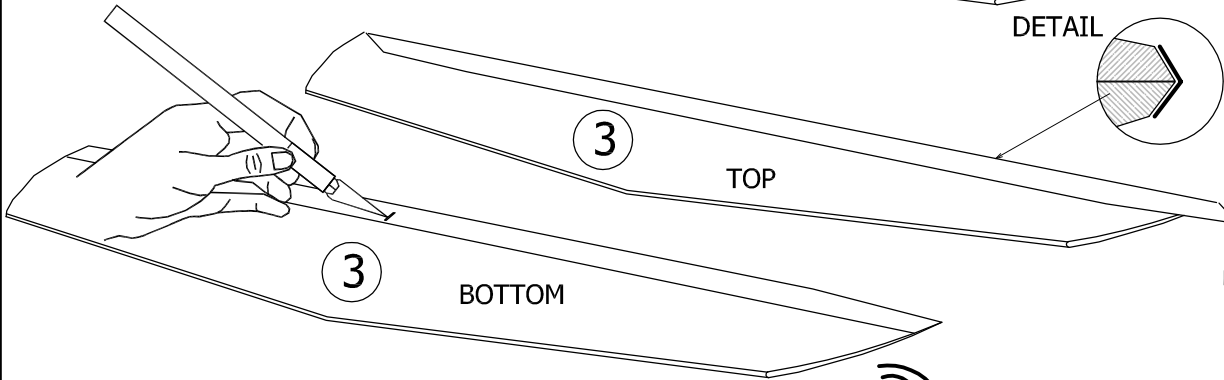
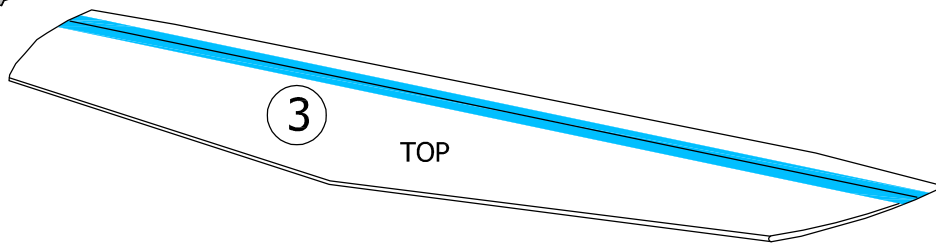


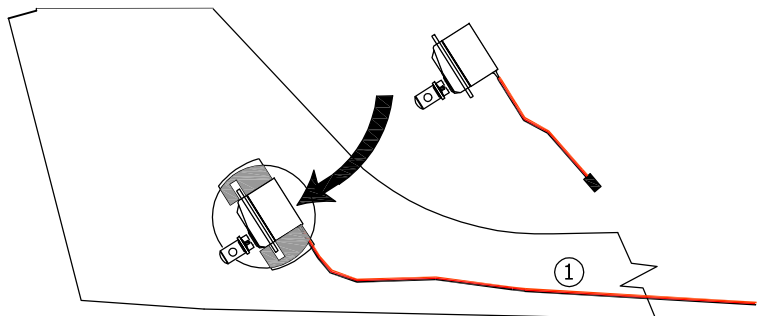
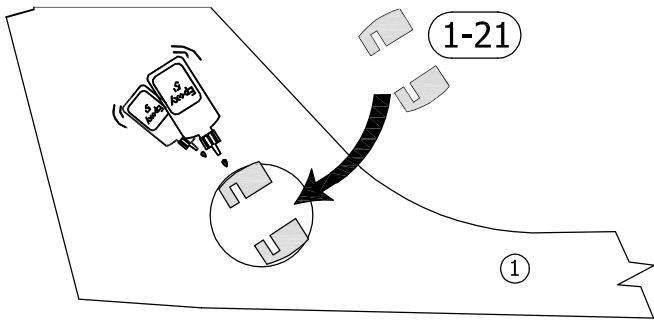
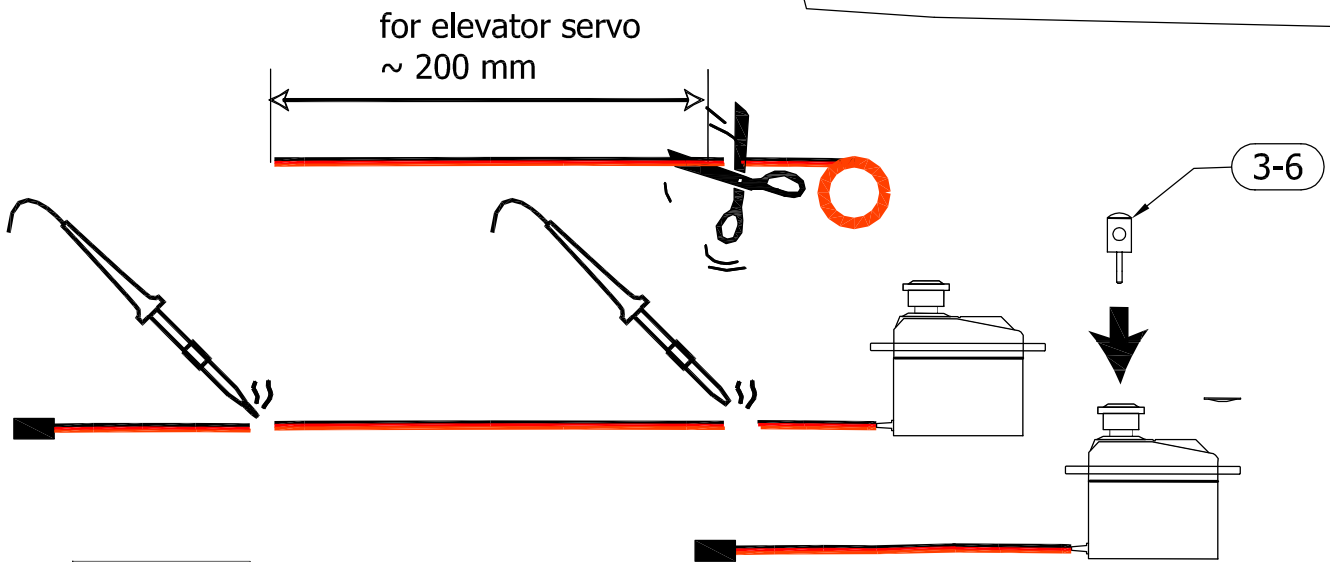
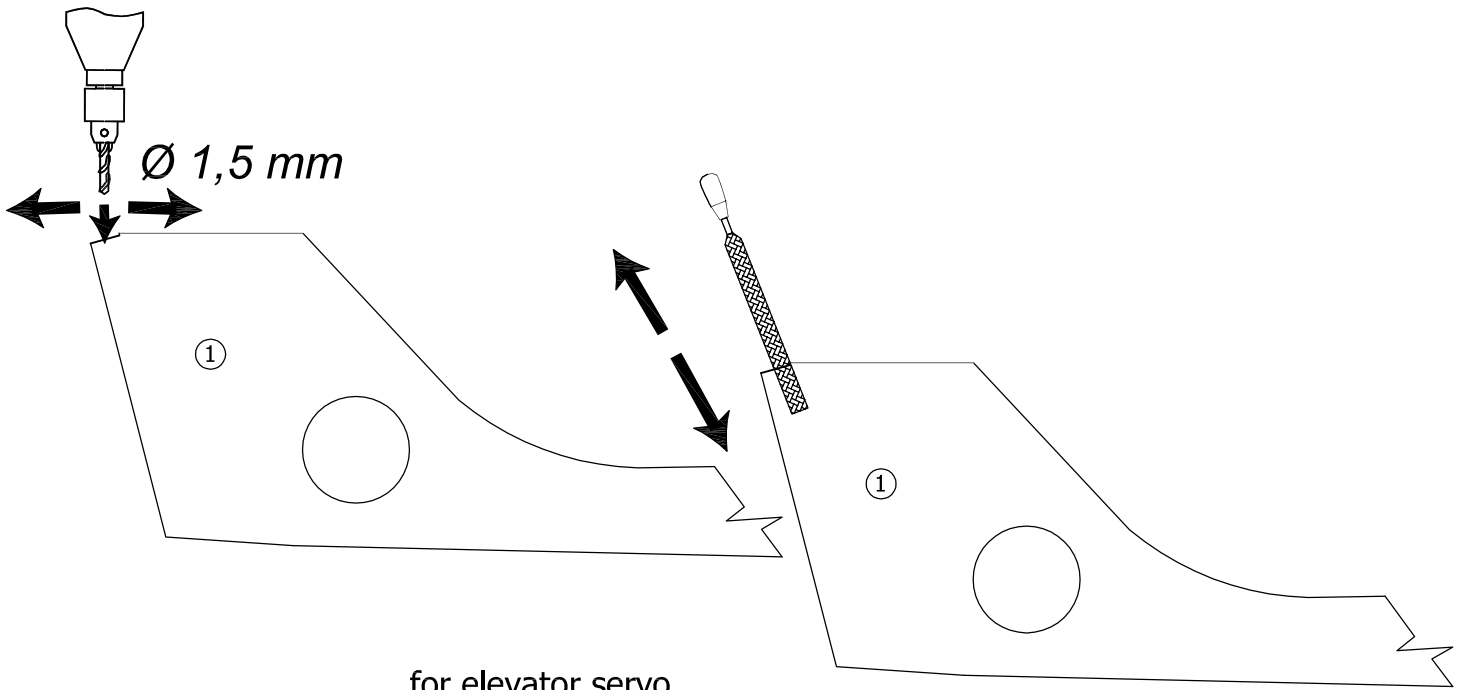


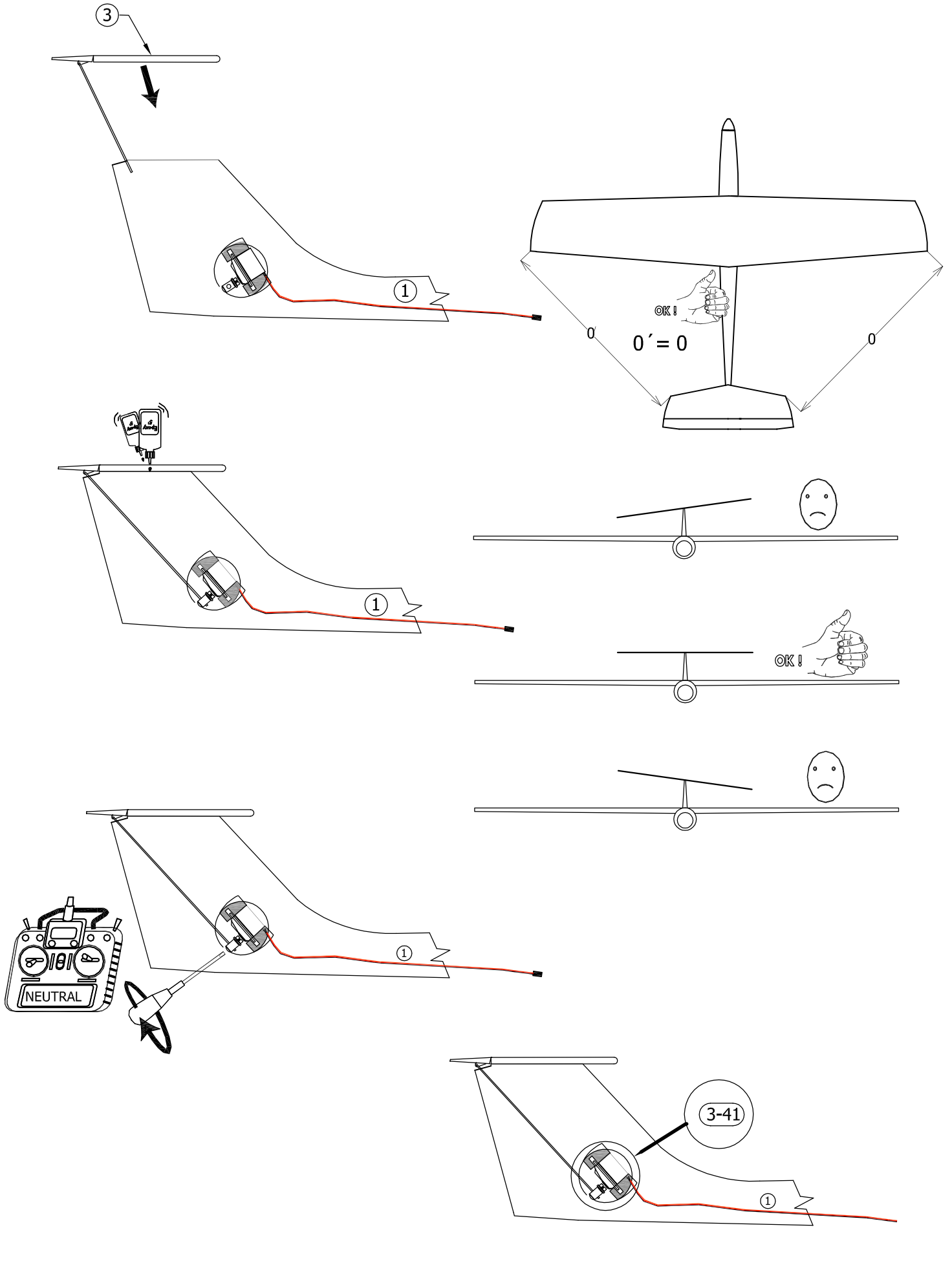




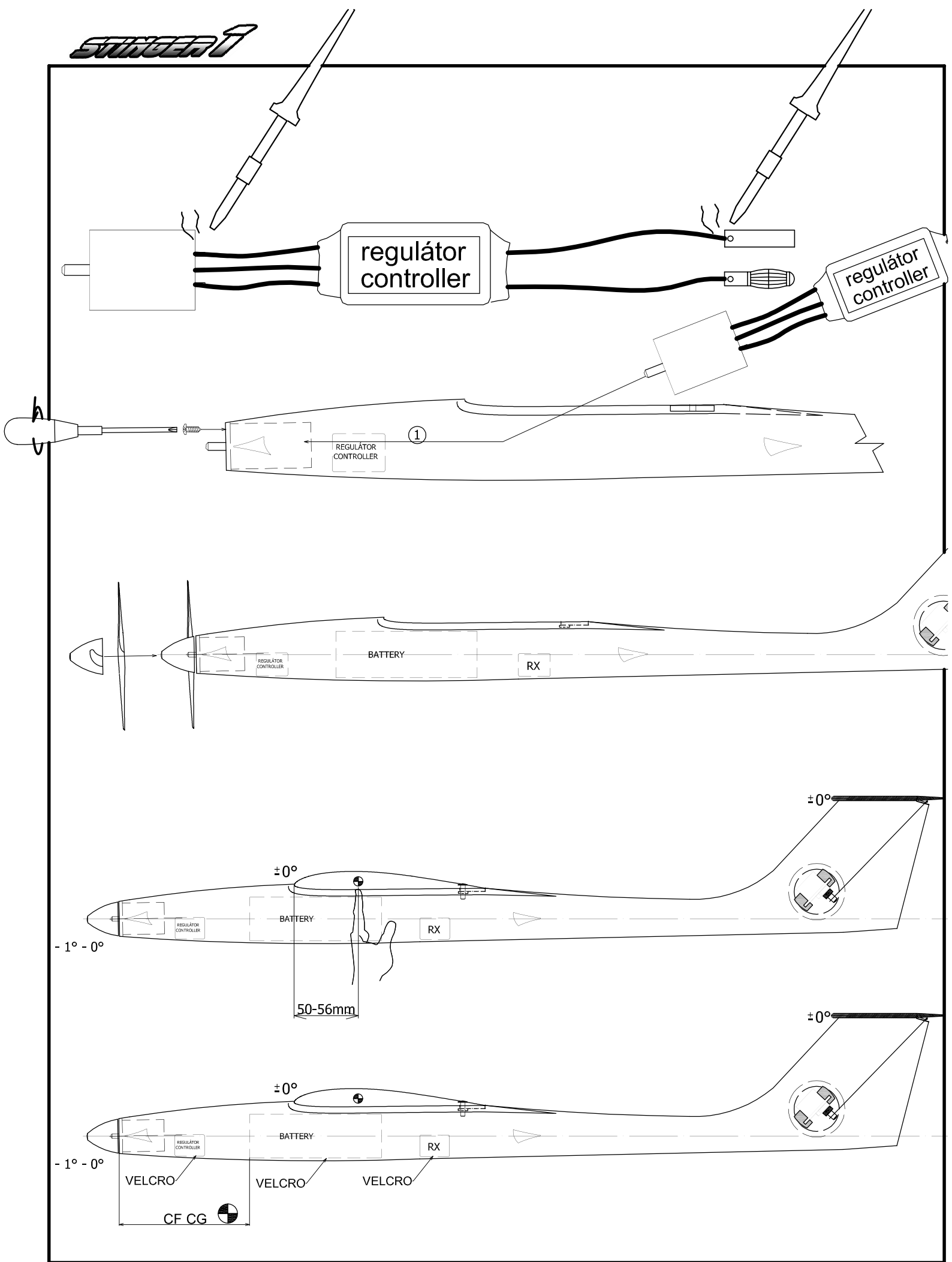
Tape 1

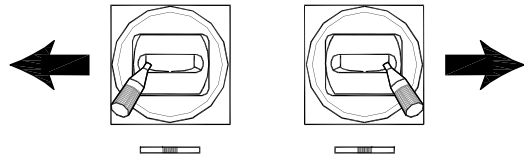
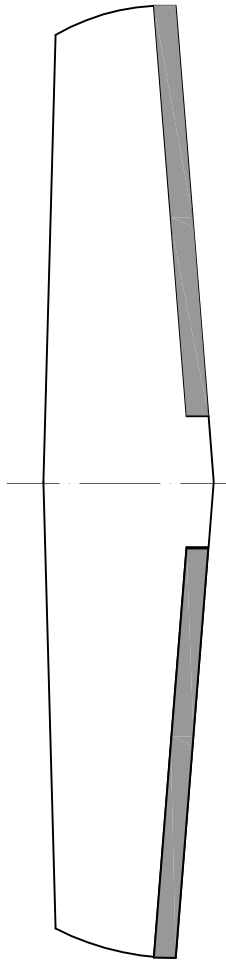




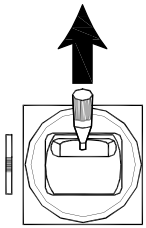
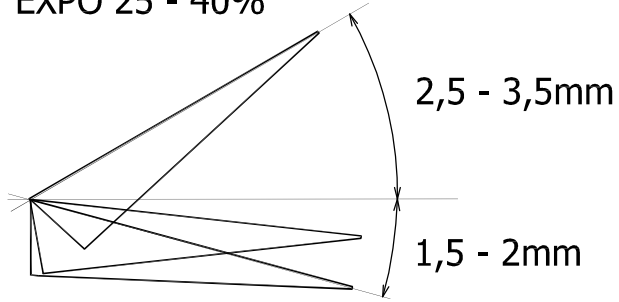








EXPO 25 - 40%



EXPO 25 - 40%

